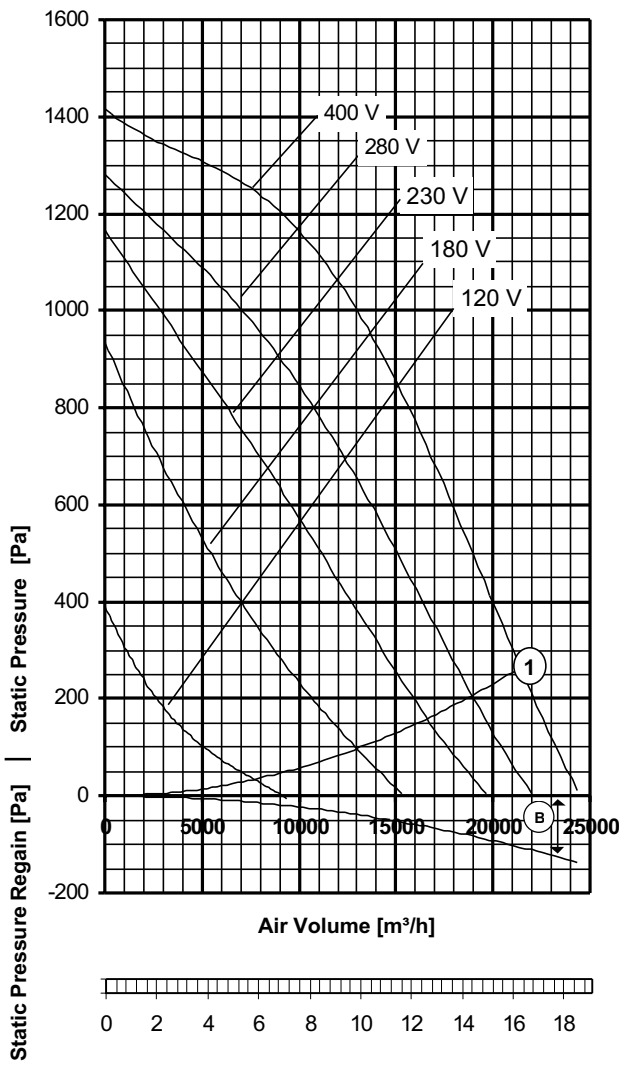
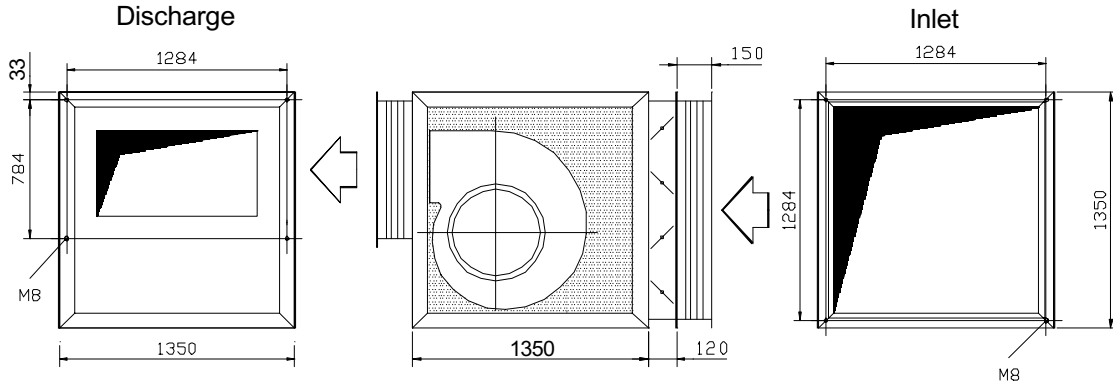


**Standard Series Ventilator Unit VN 412 Power Supply: 400V/3N~ 50 Hz with Size: 4**

**Pressure/Air Volume Performance, Selection of Speed Controllers**

**FISCHBACH  
COMPACT  
FAN  
HD630/D5**



➔ Average Discharge-Air-Velocity  $\bar{v}$  [m/s], related to standard connection size B

① free air related to the outlet surface of the fan: 0,373 m<sup>2</sup>.  
Max. permissible Air Inlet Temperature: 60°C

The data for external static pressure take into account all pressure losses due to integration of the fan within unit. Performance based upon free inlet and discharge.

**Max. power consumption 7,25 kW**

**Max. current consumption 14,50 A**

$I_A / I_N$ : 3,2

Static Pressure Regain (B) can be read from the performance curve. It is available when the unit is fitted with a straight discharge duct, sized according to the standard connection size B. Minimum duct length necessary: 2,50 m.

Voltage [V]	At free air [m³/h]	External static pressure $\Delta$ pst [Pa] available for AHU and system pressure losses						
		300	500	700	900	1000	1100	1300
		1st. line: Air Volume $V_L$ [m³/h] at $\rho = 1,2$ kg 2nd. line: Current consumption [A]						
120	9360 10,50	1100 10,00						
180	15320 13,70	8700 14,00	5200 13,00	2420 11,50				
230	19680 14,10	14020 15,00	10940 14,80	7900 13,80	4210 11,90	2490 10,50		
280	22010 13,60	17690 14,60	14830 14,90	12220 14,60	8820 13,50	6570 12,40	4140 11,00	
400	24500 13,00	21110 13,80	18720 14,20	16640 14,50	14340 14,20	13050 14,00	10970 13,50	4050 11,00

**Save power and even more silent with FISCHBACH SPEED CONTROLLERS**

Voltage Control / Frequency Control	Type	Order-No.
Stepless, 0 - 100 % and 100 - 0 % *	FDR 200/3	6235
Stepwise, 5 Steps *	FDR 20/3	6177
FISCHBACH AUTOMATIC CONTROL *	FRA 200/3	6285
Frequency Inverter *	on request	

\* with integrated motor protection and outlet fuses