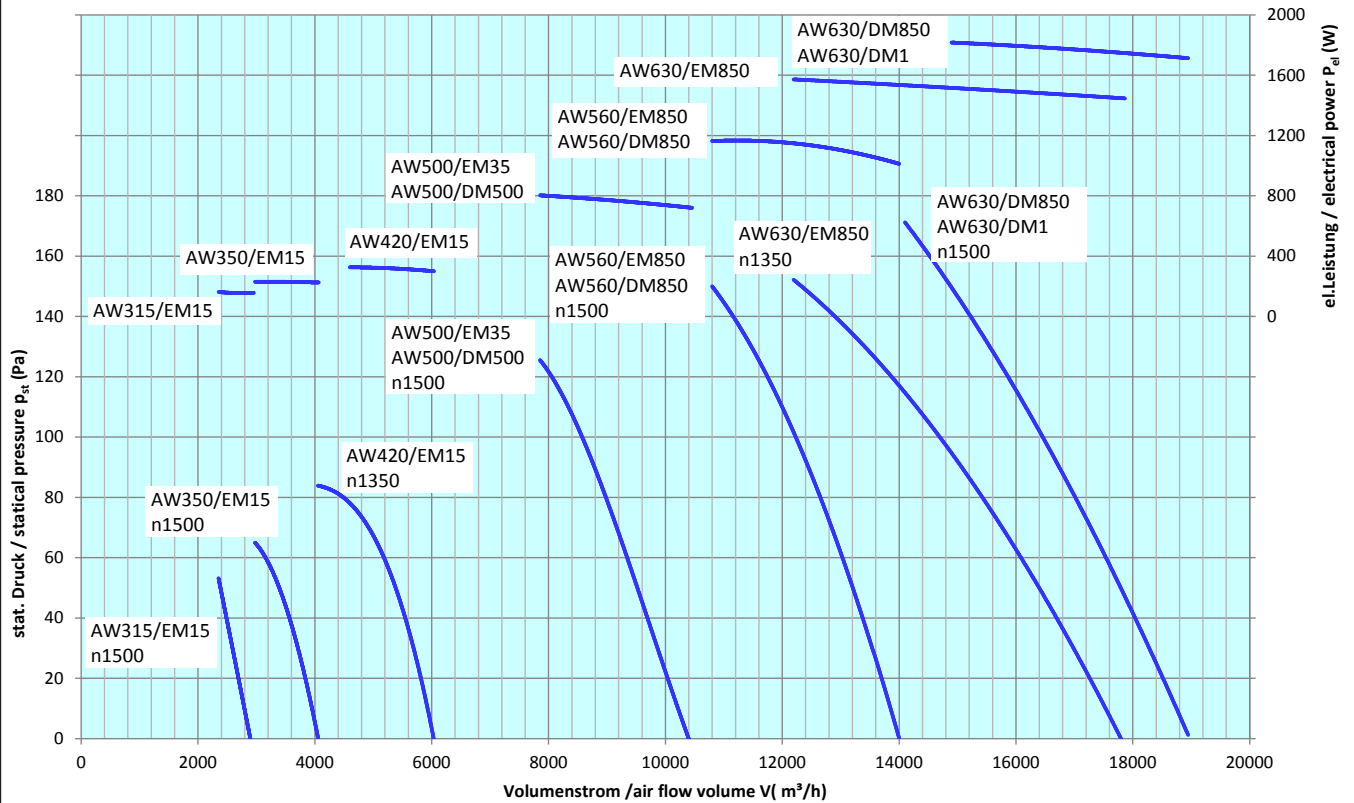


**Diagram overview (standard wing angle)**



*ErP conform*

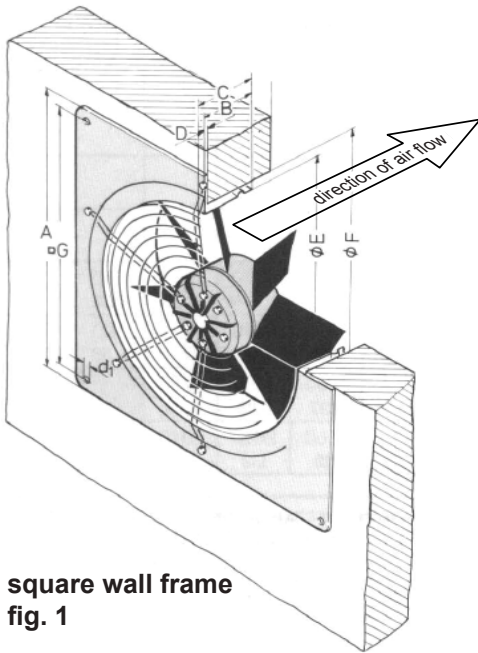
Subject to change / Technical documentation according to page: General information  
For details please contact our technical department

**Controller**

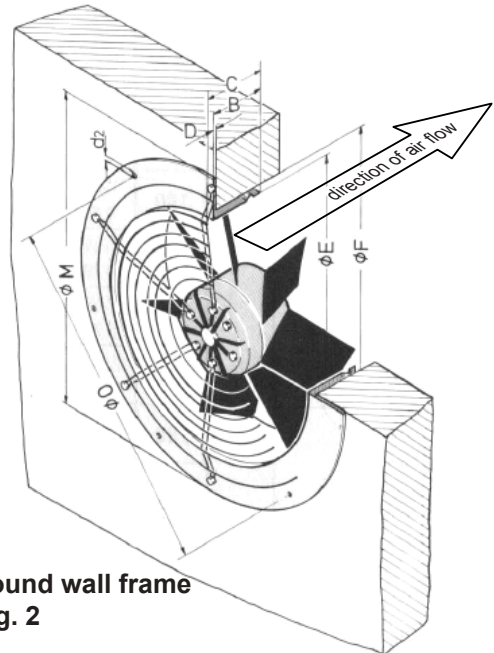
Fan	control with	Typ	order-No
AW315/EM15 AW350/EM15 AW420/EM15	FISCHBACH-EC-Regler 230V	F-EC 0.5	63002
AW500/EM35	FISCHBACH-frequency converter 230V	FFU1-21-1,5	63710
AW500/DM500	FISCHBACH-frequency converter 400V	FFU3-21-1,5	63740
AW560/EM850	FISCHBACH-frequency converter 230V	FFU1-21-2,2	63720
AW560/DM850	FISCHBACH-frequency converter 400V	FFU3-21-2,2	63750
AW630/EM850	FISCHBACH-frequency converter 230V	FFU1-21-2,2	63720
AW630/DM850	FISCHBACH-frequency converter 400V	FFU3-21-2,2	63750
AW630/DM1	FISCHBACH-frequency converter 400V	FFU3-21-4	63760
FISCHBACH-Pre-set 0-10V (optional accessories)		FS 10	69460

Technical documentation according to page: **General information**  
**subject to change**

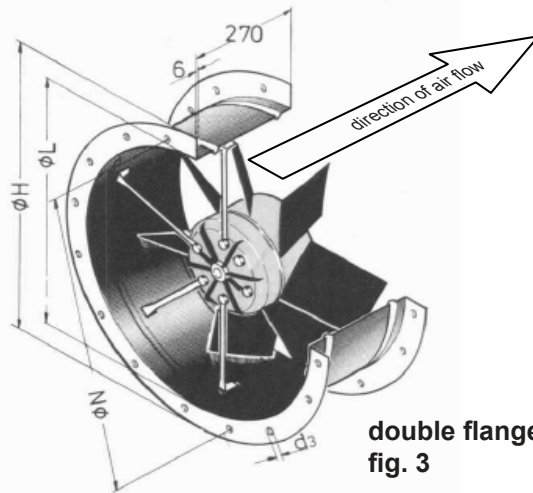
**Dimensions (standard wing angle)**



square wall frame  
 fig. 1



round wall frame  
 fig. 2



double flange pipe  
 fig. 3

Fan	A	B	C	D	E	F	G	d1	M	O	d2	H	L	N	d3	weight (kg)		
																fig1	fig2	fig3
<b>AW 315/EM15</b>	430	82	163	11	317	350	380	9	397	380	9	377	317	356	10H13	8	7,5	11,5
<b>AW 350/EM15</b>	485	86	157	12	357	400	435	9	460	442	9	417	357	395	10H13	11	9,8	14
<b>AW 420/EM15</b>	575	120	171	16	427	510	535	11	607	578	11	507	427	487	10H13	14	12,8	17
<b>AW 500/EM35</b> <b>AW500/DM500</b>	655	120	174	16	504	560	615	11	657	628	11	564	504	541	10H13	20	18,4	21
<b>AW 560/EM850</b> <b>AW 560/DM850</b>	725	120	154	16	559	625	675	11	707	678	11	633	559	605	10H13	27	25,5	29,5
<b>AW 630/EM850</b> <b>AW 630/DM850</b> <b>AW 630/DM1</b>	805	150	184	20	635	700	750	11	840	790	11	695	635	674	10H13	30	28,7	31,5

Technical documentation according to page: **General information**  
 subject to change