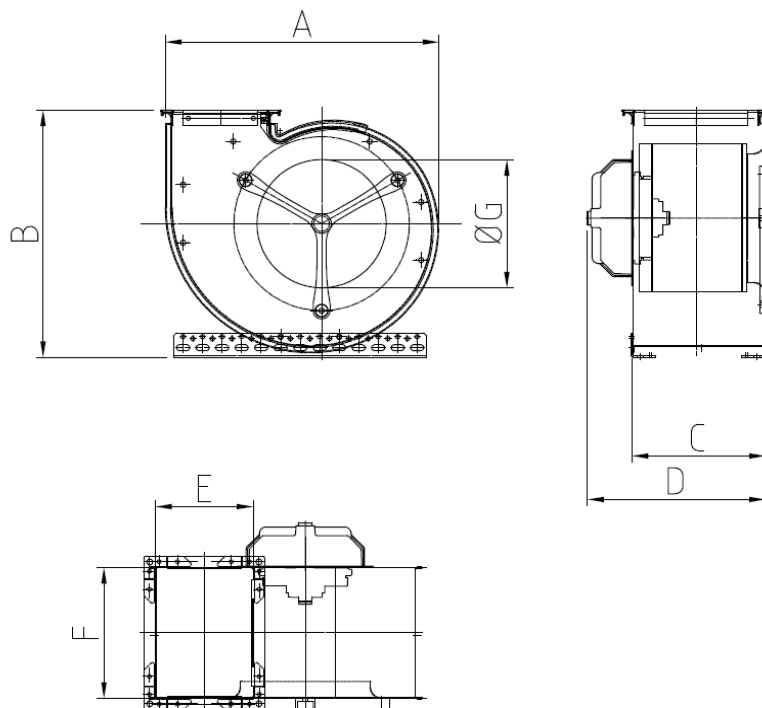


## FISCHBACH-COMPACT-FAN CEK-series with forward curved impeller and external FISCHBACH disc rotor motor - casing dimensions overview - speed controller assignment -

key:

CEK 570 / E25

- motor (E) single-phase  
(D) three-phase
- impeller
- single inlet, external motor



type	A	B	C	D	E	F	G
CEK 570/E25	241	384	205	274	150	195	199
CEK 670/E35	475	425	205	271	166	195	215
CEK 790/D1	547	491	249	324	194	247	243

type	speed controller, stepless	speed controller stepwise	speed controller electronical
CEK 570/E25	FDR 55	FDR 420	FRE 6.0
CEK 670/E35	FDR 55	FDR 420	FRE 6.0
CEK 790/D1	FDR 55/ 3	FDR 5.5/ 3	/