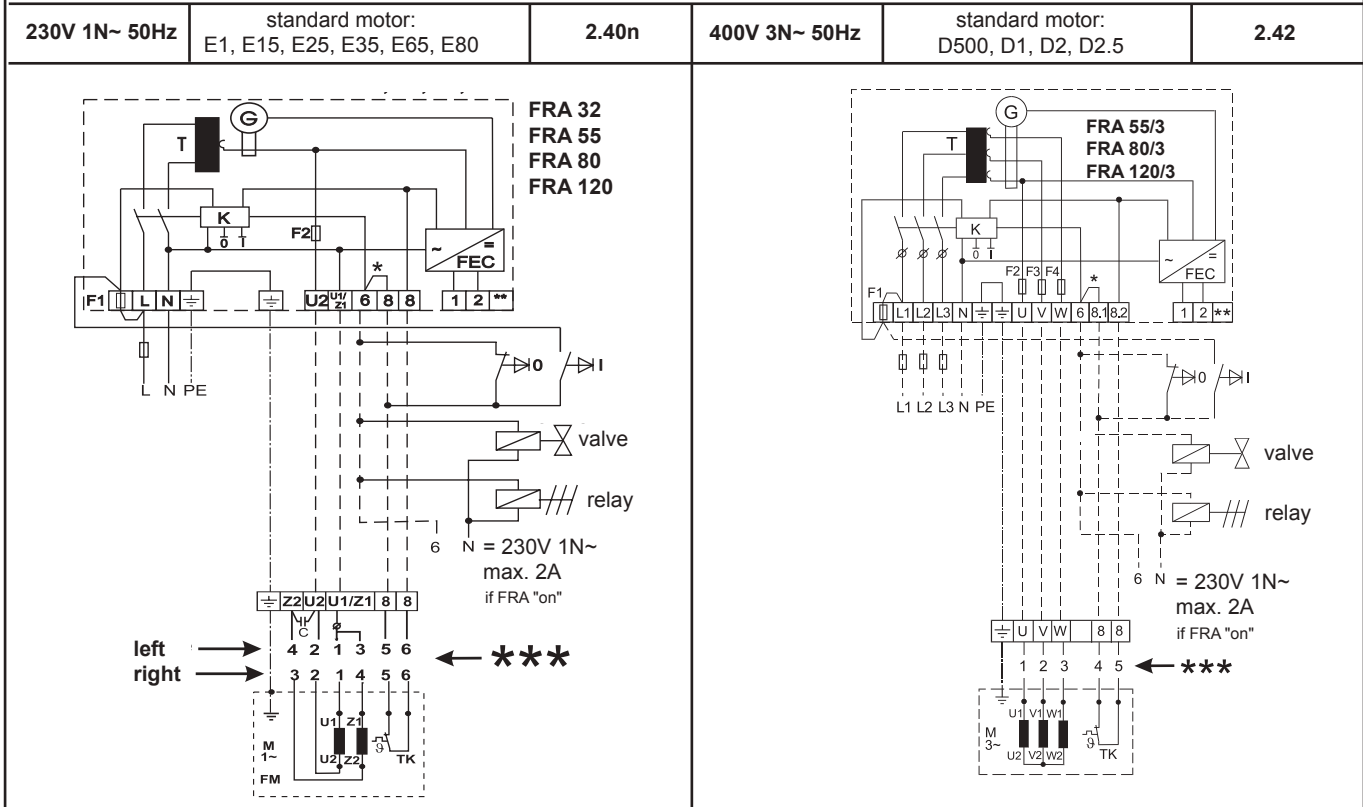


wiring diagrams for FISCHBACH AUTOMATIC CONTROLLERS



TK thermal contact
C capacitor
F fuse
K contactor with cut-out interlock
M disc rotor motor
ST limit contact
0 off-key
I on-key

- - external wiring
T transformer
FEC electronic control
 * if connecting remote"on/off-key, remove the bridge
 ** please see wiring diagrams for control circuits
 *** wire designation