

Series: EASY-BOX FEB
with Freewheeling impeller with
backward curved blades

FISCHBACH
Luft- und Ventilatorentechnik GmbH

Type: FEB400/E35

ERP KONFORM



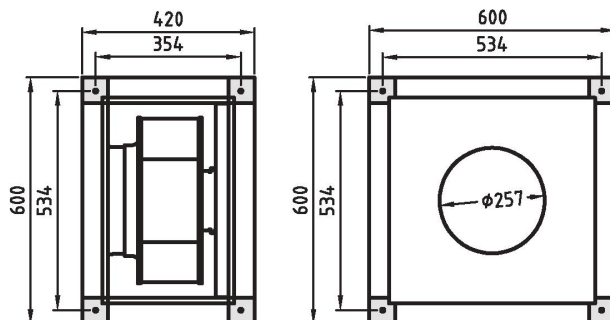
CE -conform

Forgalmazó:
Oxyrna Systems Kft.
3433 Nyékládháza, Ady Endre u. 49/A

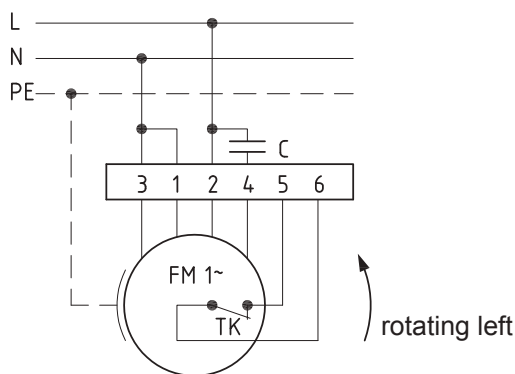
phone: +36 (30) 665-5982
internet: www.fischbach-air.hu
email: oxyrna@oxyrna.hu

Technical Data

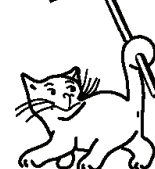
weight:	(kg)	27,5
material housing:		aluminum/plastic steel, galvanized
material impeller:		steel, galvanized
direction of rotation:		left
motor protection class:		IP 65
insulation class:		F
motor protection:		thermal contact



connection plan
0.11-1 I.



**100%
controllable**



the silent one

Series: EASY-BOX FEB
with Freewheeling impeller with
backward curved blades

FISCHBACH
Luft- und Ventilatorentechnik GmbH

Type: FEB400/E35

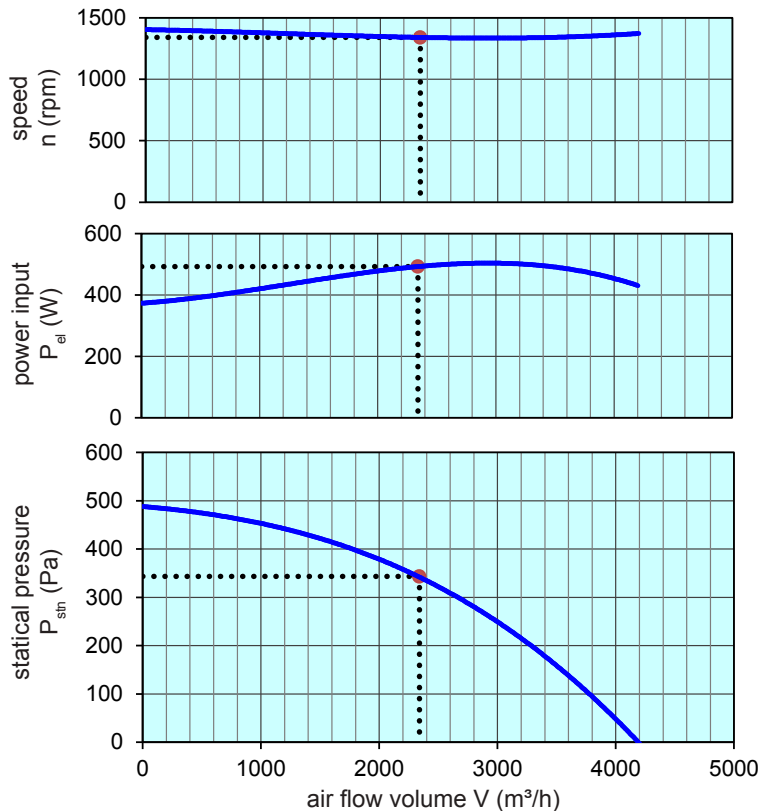
ErP 2013 2015 2018 x

Performance data

main voltage:	(V)	230 (1~)
frequency:	(Hz)	50
current max.:	(A)	2,9
power input max.:	(kW)	0,54
air flow volume max.:	(m³/h)	4200
statical pressure max.:	(Pa)	492
speed max.:	(rpm)	1404
max. air flow temperature	(°C)	80
max. ambient temperature	(°C)	30
capacitor:	(µF)	16

ErP-Data:

total efficiency fan (η_e):	(%)	48,2
installation category:		A
efficiency category:		static
efficiency grade: N	(%)	62
target efficiency (η_{target}):	(%)	48,2
speed controller		no
year of manufacturing		since 2015
manufacturer: Fischbach Luft- und Ventilatorentechnik GmbH D-57290 Neunkirchen / HRB 5804 Siegen		
order no. (left)		18072610
power input:	(kW)	0,49
air flow volume:	(m³/h)	2430
statical pressure:	(Pa)	350
speed:	(rpm)	1339
specific ratio:		1
disassembling/recycling/disposal: see page decommission		
installation/operation/maintenance: see operating and mounting instructions		
measurement for determination of efficiency without additional items		



Voltage Control	type	order-no.
FISCHBACH-Speed-Controller, stepless	FDR 32	6162
FISCHBACH-Speed-Controller, stepwise	FDR 420	6201
FISCHBACH-Automatic-Control	FRA 32	6251

Technical documentation according to page: **General information**