

**Series: FREEWHEELING IMPELLER with
INSTALLATION FRAME FLRE**
with backward curved blades

FISCHBACH

Luft- und Ventilatorentechnik GmbH

Type: FLRE500/E65

ERP KONFORM



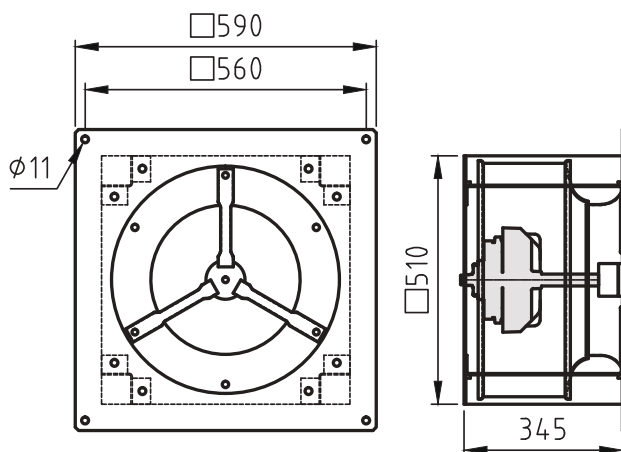
CE -conform

Forgalmazó:
Oxyma Systems Kft.
3433 Nyékládháza, Ady Endre u. 49/A

phone: +36 (30) 665-5982
internet: www.fischbach-air.hu
email: oxyma@oxyma.hu

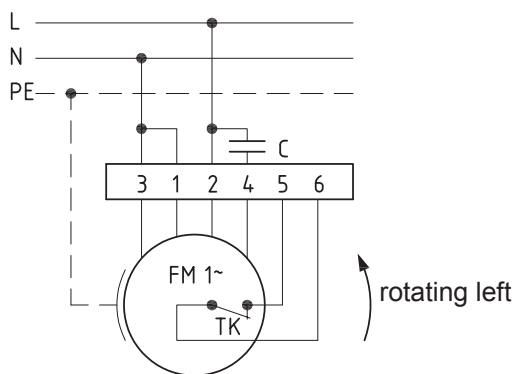
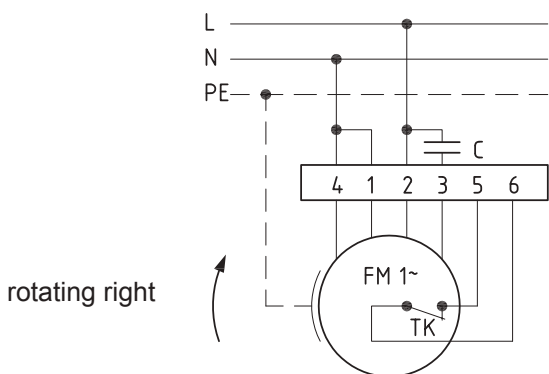
Technical Data

weight:	(kg)	34
material housing:	steel, galvanized	
material impeller:	steel, galvanized	
direction of rotation:	left/right	
motor protection class:	IP 65	
insulation class:	F	
motor protection:	thermal contact	

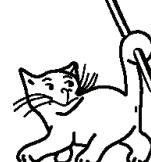


connection plan
0.11-1 r.

connection plan
0.11-1 l.



**100%
controllable**



the silent one

**Series: FREEWHEELING IMPELLER with
INSTALLATION FRAME FLRE**
with backward curved blades

FISCHBACH
Luft- und Ventilatorentechnik GmbH

Type: FLRE500/E65

ErP 2015 2016 x 2018

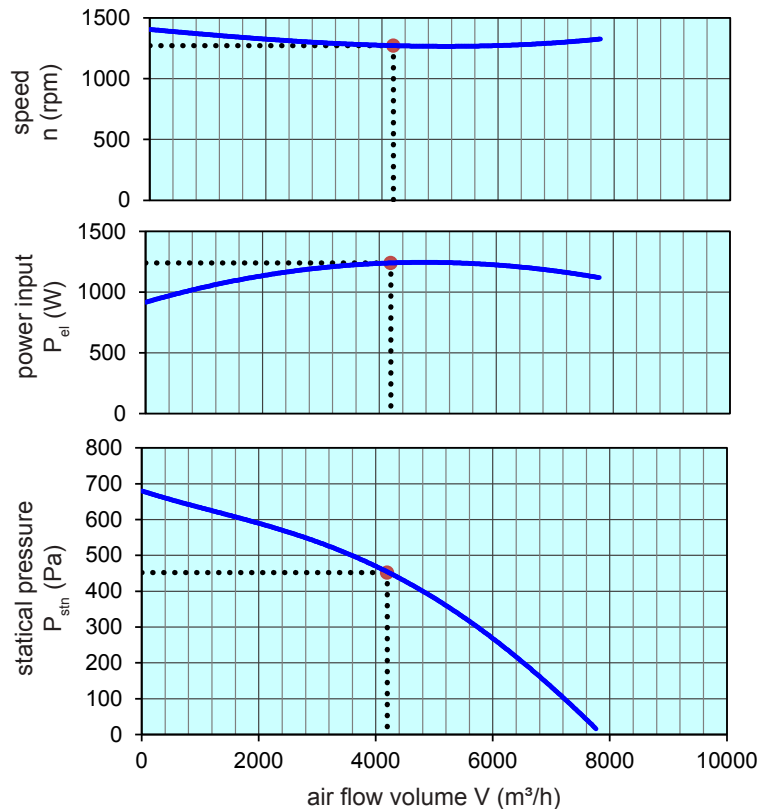
Performance data

main voltage:	(V)	230 (1~)
frequency:	(Hz)	50
current max.:	(A)	4,9
power input max.:	(kW)	1,3
air flow volume max.:	(m³/h)	7770
statical pressure max.:	(Pa)	690
speed max.:	(rpm)	1402
supply air temperature:	(°C)	-20...+60
capacitor:	(µF)	37,5

ErP-Data:

total efficiency fan (η_e):	(%)	48,0
installation category:		A
efficiency category:		static
efficiency grade: N	(%)	58
target efficiency (η_{target}):	(%)	48,0
speed controller		no
year of manufacturing		since 2015
manufacturer:	Fischbach Luft- und Ventilatorentechnik GmbH D-57290 Neunkirchen / HRB 5804 Siegen	
order no.: (left)		18027040
power input:	(kW)	1,15
air flow volume:	(m³/h)	4280
statical pressure:	(Pa)	463
speed:	(rpm)	1271
specific ratio:		1

disassembling/recycling/disposal: see page decommission
installation/operation/maintenance: see operating and mounting instructions
measurement for determination of efficiency without additional items



Voltage Control	type	order-no.
FISCHBACH-Speed-Controller, stepless	FDR 80	6164
FISCHBACH-Speed-Controller, stepwise	FDR 750	6202
FISCHBACH-Automatic-Control	FRA 80	6253
FISCHBACH-Control-Unit	FRE 6	63001

Technical documentation according to page: **General information**