

Series: MULTI-EXHAUST-UNIT FMB

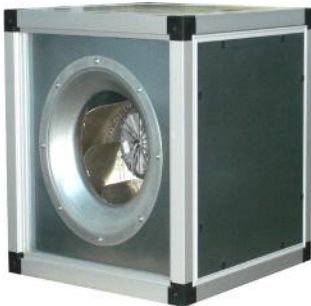
with Freewheeling impeller with backward curved blades

FISCHBACH

Luft- und Ventilatorentechnik GmbH

Type: FMB2/2-450/D500

ERP KONFORM



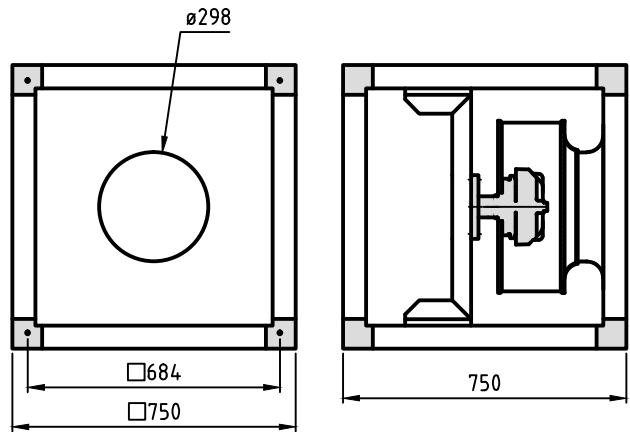
Forgalmazó:

Oxyma Systems Kft.
3433 Nyékládháza, Ady Endre u. 49/A

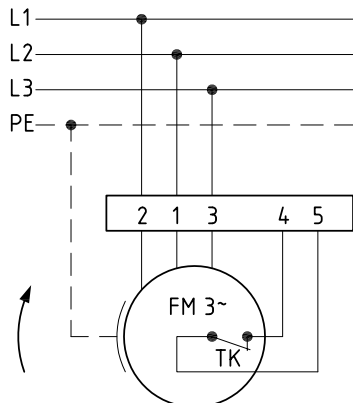
phone: +36 (30) 665-5982
internet: www.fischbach-air.hu
email: oxyma@oxyma.hu

Technical Data

weight:	(kg)	35
material housing:		aluminum/plastic steel, galvanized
material impeller:		steel, galvanized
direction of rotation:		left/right
motor protection class:		IP 65
insulation class:		F
motor protection:		thermal contact

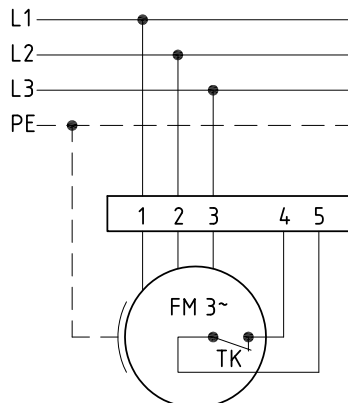


connection plan
0.13-2 r.



rotating right

connection plan
0.13-2 l.



rotating left

the silent one



Series: MULTI-EXHAUST-UNIT FMB

with Freewheeling impeller with backward curved blades

FISCHBACH

Luft- und Ventilatorentechnik GmbH

Type: FMB2/2-450/D500

ErP 2013**x 2015 2018

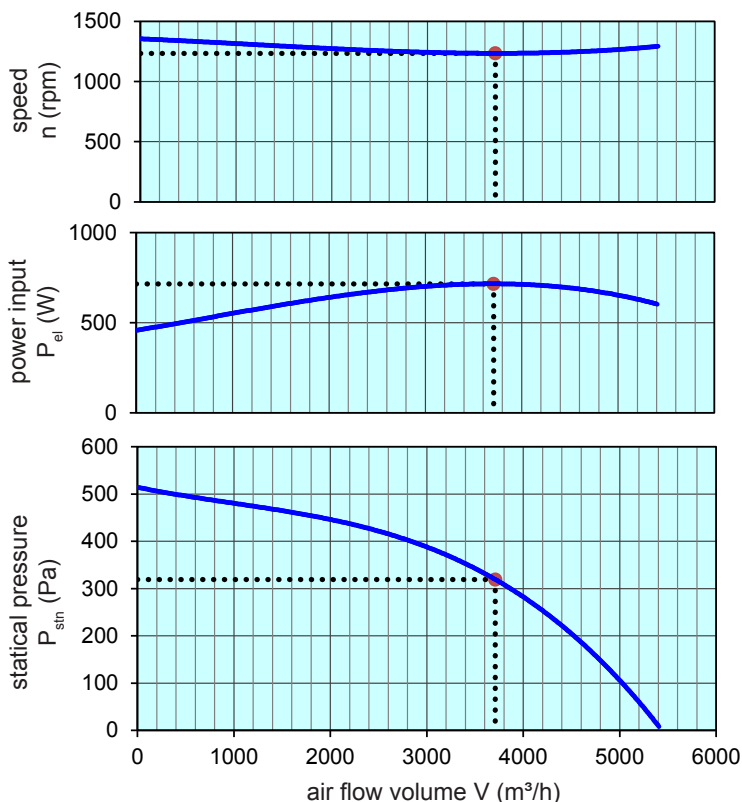
Performance data

main voltage:	(V)	400 (3~)
frequency:	(Hz)	50
current max.:	(A)	1,7
power input max.:	(kW)	0,72
air flow volume max.:	(m³/h)	5410
statical pressure max.:	(Pa)	510
speed max.:	(rpm)	1354
supply air temperature:	(°C)	-25...+70
capacitor:	(µF)	-

ErP-Data:

total efficiency fan (η_e):	(%)	46,4
installation category:		A
efficiency category:		static
efficiency grade: N	(%)	58
target efficiency (η_{target}):	(%)	45,9
speed controller		no
year of manufacturing		since 2015
manufacturer:	Fischbach Luft- und Ventilatorentechnik GmbH D-57290 Neunkirchen / HRB 5804 Siegen	
order no. (left)		18025030
power input:	(kW)	0,71
air flow volume:	(m³/h)	3710
statical pressure:	(Pa)	320
speed:	(rpm)	1234
specific ratio:		1
disassembling/recycling/disposal:	see page decommission	
installation/operation/maintenance:	see operating and mounting instructions	
measurement for determination of efficiency without additional items		

** not suitable for distribution in EU countries, please choose an appropriate EC fan or contact our technical department



Voltage Control	type	order.-no.
FISCHBACH-Speed-Controller, stepless	FDR 55/3	6231
FISCHBACH-Speed-Controller, stepwise	FDR 2.75/3	6181
FISCHBACH-Frequency-Converter	FFU3-21-1.5	63740

Technical documentation according to page: **General information**