

Series: MULTI-EXHAUST-UNIT FMB

with Freewheeling impeller with backward curved blades

FISCHBACH

Luft- und Ventilatorentechnik GmbH

Type: FMB3/1-560/D1a

ERP KONFORM



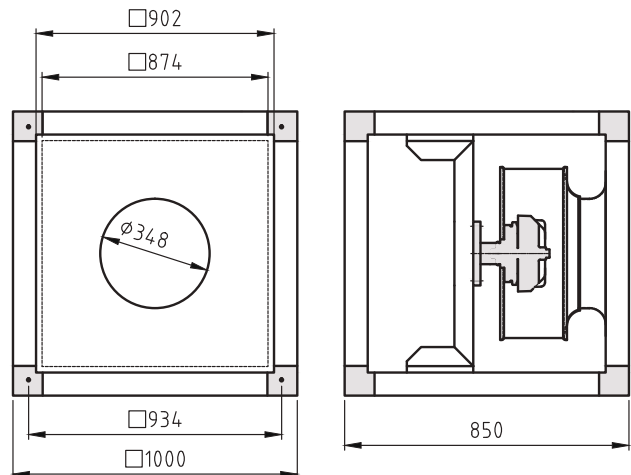
Forgalmazó:

Oxyma Systems Kft.
3433 Nyékládháza, Ady Endre u. 49/A

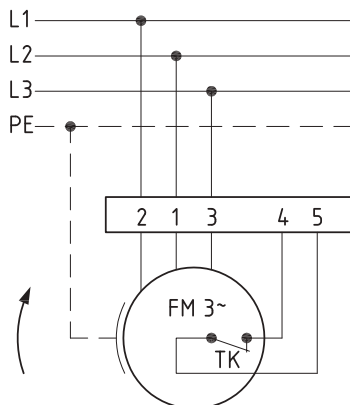
phone: +36 (30) 665-5982
internet: www.fischbach-air.hu
email: oxyma@oxyma.hu

Technical Data

weight:	(kg)	38
material housing:	aluminum/plastic steel, galvanized	
material impeller:	steel, galvanized	
direction of rotation:	left/right	
motor protection class:	IP 65	
insulation class:	F	
motor protection:	thermal contact	

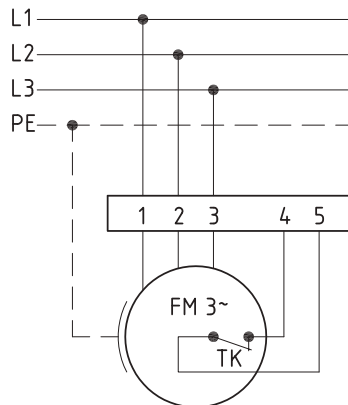


connection plan
0.13-2 r.



rotating right

connection plan
0.13-2 l.



rotating left

the silent one



Series: MULTI-EXHAUST-UNIT FMB

with Freewheeling impeller with backward curved blades

FISCHBACH

Luft- und Ventilatorentechnik GmbH

Type: FMB3/1-560/D1a

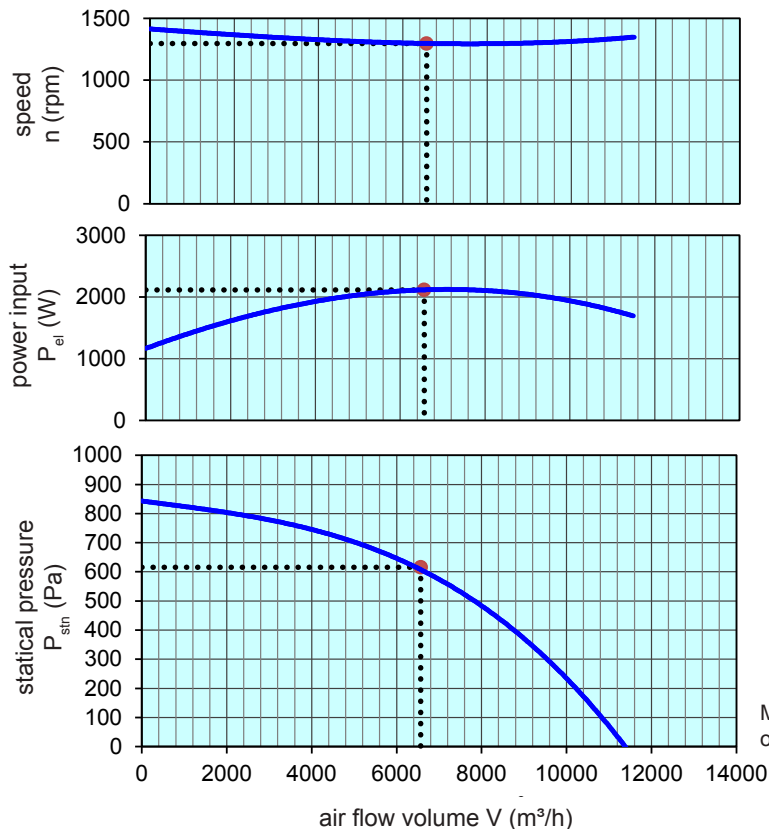
ErP 2013 2015 2018 x

Performance data

main voltage:	(V)	400 (3~)
frequency:	(Hz)	50
current max.:	(A)	4,6
power input max.:	(kW)	2,3
air flow volume max.:	(m³/h)	11500
statical pressure max.:	(Pa)	855
speed max.:	(rpm)	1411
supply air temperature:	(°C)	-25...+40
capacitor:	(µF)	-

ErP-Data:

total efficiency fan (η_e):	(%)	55,0
installation category:		A
efficiency category:		static
efficiency grade: N	(%)	62
target efficiency (η_{target}):	(%)	54,8
speed controller		no
year of manufacturing		since 2015
manufacturer:	Fischbach Luft- und Ventilatorentechnik GmbH D-57290 Neunkirchen / HRB 5804 Siegen	
order no.: (left)		18025060
power input:	(kW)	2,05
air flow volume:	(m³/h)	6600
statical pressure:	(Pa)	616
speed:	(rpm)	1293
specific ratio:		1
disassembling/recycling/disposal: see page decommission		
installation/operation/maintenance: see operating and mounting instructions		
measurement for determination of efficiency without additional items		



Measurement was carried out without casing!

Voltage Control	type	order-no.
FISCHBACH-Speed-Controller, stepless	FDR 55/3	6231
FISCHBACH-Speed-Controller, stepwise	FDR 5.5/3	6182
FISCHBACH-Frequency-Converter	FFU3-21-4	63760

Technical documentation according to page: **General information**