

Series: HIGH EFFICIENCY FAN Type HE

double inlet
with backward curved blades

FISCHBACH

Luft- und Ventilatorentechnik GmbH

Type: HD500/D2.5

ERP KONFORM



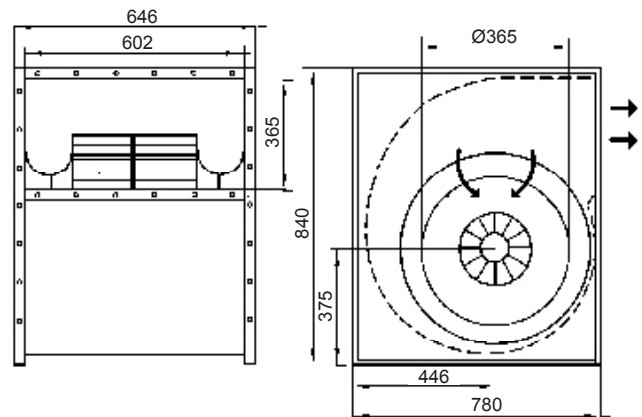
Forgalmazó:

Oxyma Systems Kft.
3433 Nyékládháza, Ady Endre u. 49/A

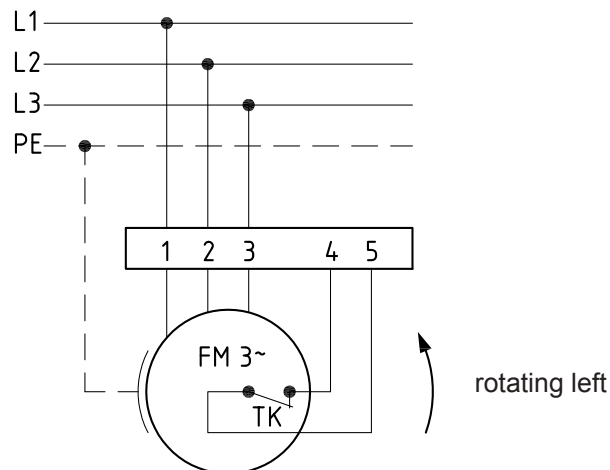
phone: +36 (30) 665-5982
internet: www.fischbach-air.hu
email: oxyma@oxyma.hu

Technical Data

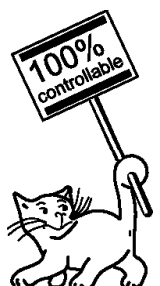
weight:	(kg)	100
material housing:	steel, galvanized	
material impeller:	steel, galvanized	
direction of rotation:	left	
protection class:	IP 65	
insulation class:	F	
motor protection:	thermal contact	



connection plan
0.13-2 I.



the silent one



Series: HIGH EFFICIENCY FAN Type HE

double inlet
with backward curved blades

FISCHBACH

Luft- und Ventilatorentechnik GmbH

Type: HD500/D2.5

ErP 2013 2015 x 2018

Performance data

main voltage:	(V)	400 (3~)
frequency:	(Hz)	50
current max.:	(A)	9,0
power input max.:	(kW)	4,2
air flow volume max.:	(m³/h)	17000
statical pressure max.:	(Pa)	955
speed max.:	(rpm)	1446
supply air temperature:	(°C)	-25... +65
capacitor:	(µF)	-

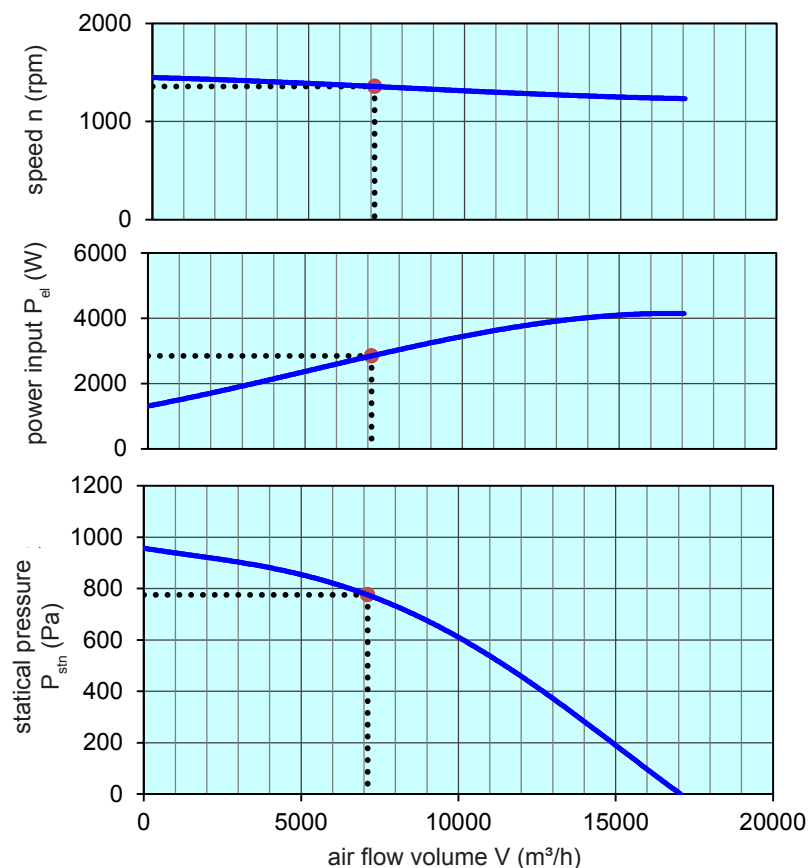
ErP-Data:

total efficiency fan (η_e):	(%)	55,2
installation category:		A
efficiency category:		static
efficiency grade: N	(%)	61
target efficiency (η_{target}):	(%)	55,2
speed controller		no
year of manufacturing		since 2015
manufacturer:	Fischbach Luft- und Ventilatorentechnik GmbH D-57290 Neunkirchen / HRB 5804 Siegen	
order no.		18002017
power input:	(kW)	2,8
air flow volume:	(m³/h)	7130
statical pressure:	(Pa)	780
speed:	(rpm)	1357
specific ratio:		1

disassembling/recycling/disposal: see page decommission

installation/operation/maintenance: see operating and mounting instructions

measurement for determination of efficiency without additional items



Speed controller / accessories / sound data, please see in the appropriate table

Technical documentation according to page: **General information**