

**Series: HIGH EFFICIENCY FAN Type HD**

double inlet  
with backward curved blades

**FISCHBACH**

Luft- und Ventilatorentechnik GmbH

**Type: HD630/TD10**

**ERP KONFORM**



**CE** -conform

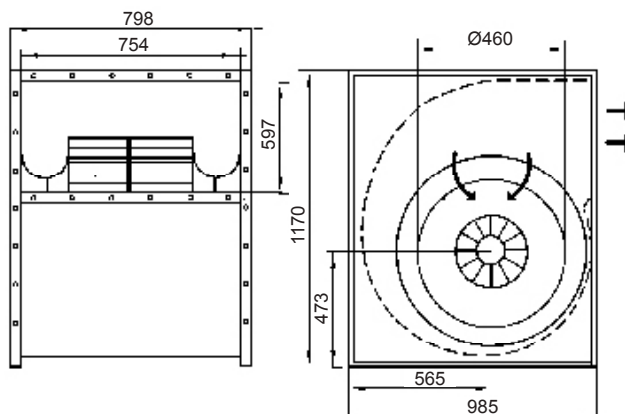
**Forgalmazó:**

Oxyma Systems Kft.  
3433 Nyékládháza, Ady Endre u. 49/A

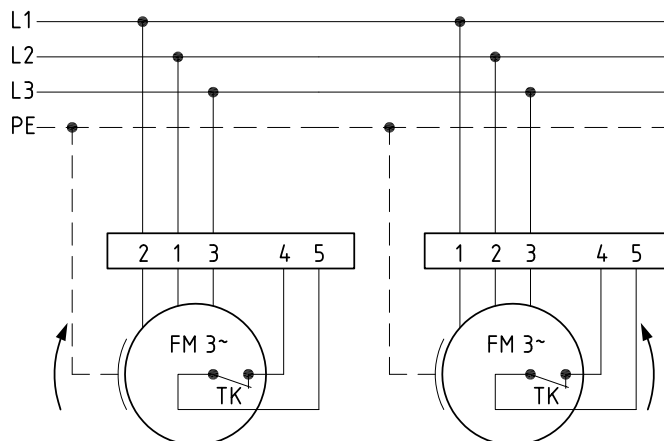
phone: +36 (30) 665-5982  
internet: www.fischbach-air.hu  
email: oxyma@oxyma.hu

**Technical Data**

weight:	(kg)	180
material housing:	steel, galvanized	
material impeller:	steel, galvanized	
direction of rotation:	left	
protection class:	IP 65	
insulation class:	F	
motor protection:	thermal contact	



**connection plan**  
0.16-1 / 0.16a-1



the silent one



**Series: HIGH EFFICIENCY FAN Type HD**

double inlet  
with backward curved blades

**FISCHBACH**

Luft- und Ventilatorentechnik GmbH

**Type: HD630/TD10**

ErP 2013\*\*x 2015 2018

**Performance data**

main voltage:	(V)	400 (3~)
frequency:	(Hz)	50
current max.:	(A)	29,3
power input max.:	(kW)	13,9
air flow volume max.:	(m³/h)	38330
statical pressure max.:	(Pa)	1467
speed max.:	(rpm)	1472
supply air temperature:	(°C)	-25... +65
capacitor:	(µF)	-

\*\* not suitable for distribution in EU countries, please choose an appropriate EC fan or contact our technical department

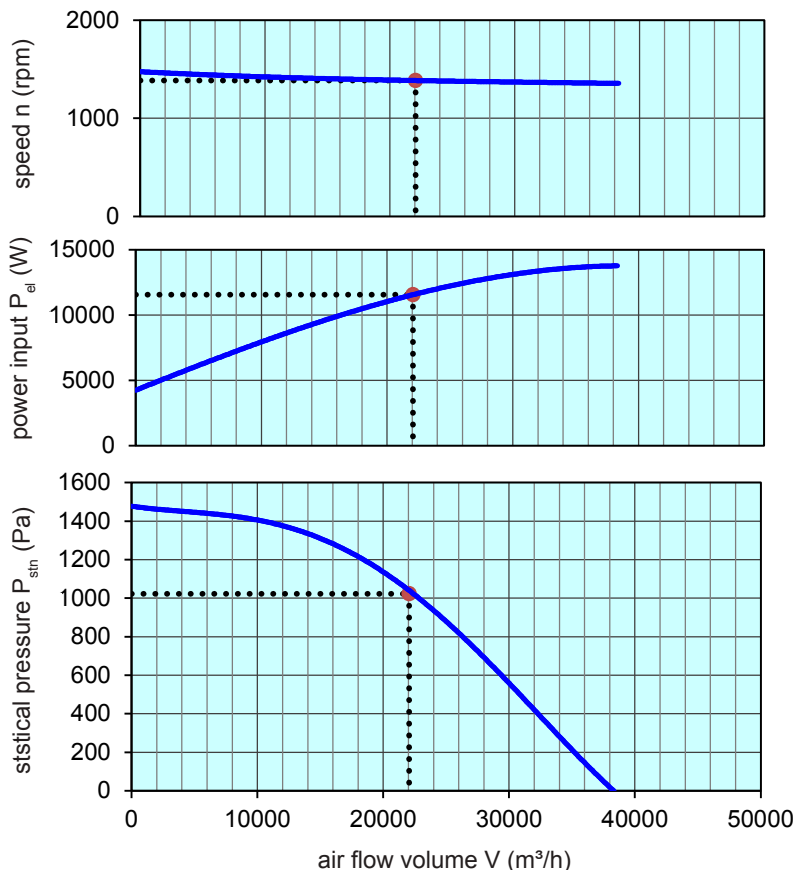
**ErP-Data:**

total efficiency fan ( $\eta_e$ ):	(%)	58,5
installation category:		A
efficiency category:		static
efficiency grade: N	(%)	58
target efficiency ( $\eta_{target}$ ):	(%)	58,5
speed controller		no
year of manufacturing		since 2015
manufacturer:	Fischbach Luft- und Ventilatorentechnik GmbH D-57290 Neunkirchen / HRB 5804 Siegen	
order no.		18002047
power input:	(kW)	11,3
air flow volume:	(m³/h)	22200
statical pressure:	(Pa)	1070
speed:	(rpm)	1385
specific ratio:		1

disassembling/recycling/disposal: see page decommission

installation/operation/maintenance: see operating and mounting instructions

measurement for determination of efficiency without additional items



Speed controller / accessories / sound data, please see in the appropriate table

Technical documentation according to page: **General information**