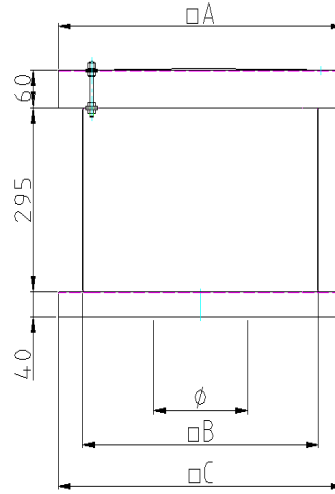
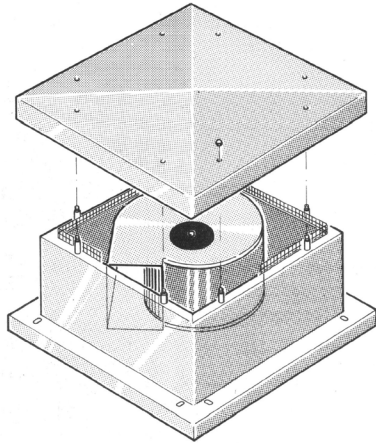


FISCHBACH - ROOF TOP UNITS - 40.xxx - flat series - overview -



assignment of the speed controllers for roof top units type 40

			with fan	automatic speed control		speed controller, stepless		speed controller, stepwise		dimensions (mm)			
			.../E = 230V, 1N~	with casing, without sensor and pre-set device		with casing, with rotary knob and scale		with casing, with step switch					
size	type	part no.	type	typ e FRA	part no.	type FDR	part no.	type FDR	part no.	A	B	C	ø
1	40-1	8040000	CE470 / E1	32	62511	32	61621	420	62011	600	500	600	167
2	40-2	8040010	CE570 / E15	32	62511	32	61621	420	62011	750	650	750	199
3	40-3/1	8040020	CE670 / E25	55	62521	55	61631	420	62011	850	750	850	215
	40-3/2	8040030	CE790 / E35	55	62521	55	61631	750	62021	850	750	850	243
	40-3/3	8040040	CE890 / E65	80	62531	80	61641	750	62.021	850	750	850	286

also available as electronic speed controller FRE 6/12

