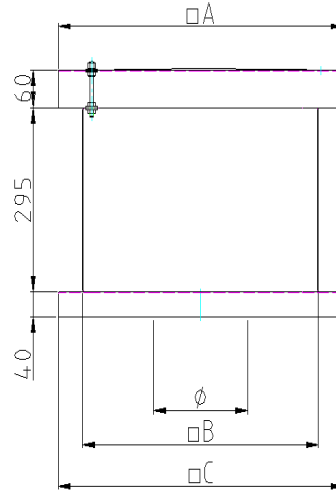
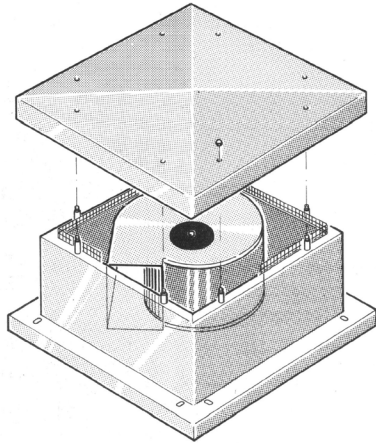


FISCHBACH - ROOF TOP UNITS - 40.xxx - flat series - overview -



assignment of the speed controllers for roof top units type 40

| | | | with fan | automatic speed control | | speed controller, stepless | | speed controller, stepwise | | dimensions (mm) | | | |
|------|--------|----------|-------------------|--|----------|---|----------|-------------------------------|----------|-----------------|-----|-----|-----|
| | | | .../E = 230V, 1N~ | with casing, without sensor and pre-set device | | with casing, with rotary knob and scale | | with casing, with step switch | | | | | |
| size | type | part no. | type | typ e FRA | part no. | type FDR | part no. | type FDR | part no. | A | B | C | ø |
| 1 | 40-1 | 8040000 | CE470 / E1 | 32 | 62511 | 32 | 61621 | 420 | 62011 | 600 | 500 | 600 | 167 |
| 2 | 40-2 | 8040010 | CE570 / E15 | 32 | 62511 | 32 | 61621 | 420 | 62011 | 750 | 650 | 750 | 199 |
| 3 | 40-3/1 | 8040020 | CE670 / E25 | 55 | 62521 | 55 | 61631 | 420 | 62011 | 850 | 750 | 850 | 215 |
| | 40-3/2 | 8040030 | CE790 / E35 | 55 | 62521 | 55 | 61631 | 750 | 62021 | 850 | 750 | 850 | 243 |
| | 40-3/3 | 8040040 | CE890 / E65 | 80 | 62531 | 80 | 61641 | 750 | 62.021 | 850 | 750 | 850 | 286 |

also available as electronic speed controller FRE 6/12

