

Series: ROOF TOP UNIT TYPE 40, flat
 with FISCHBACH COMPACT FAN
 Type CE EC-MOTOR

FISCHBACH
 Luft- und Ventilatorentechnik GmbH

Type: 40-1-EC CE470/EM10

ERP KONFORM

CE -conform

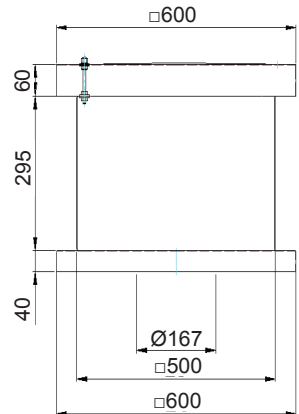
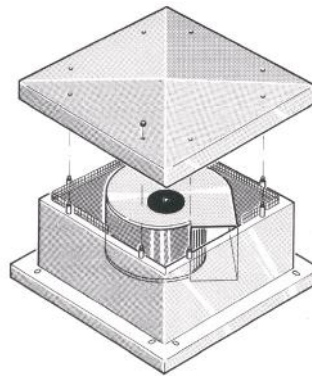


Forgalmazó:
 Oxyma Systems Kft.
 3433 Nyékládháza, Ady Endre u. 49/A

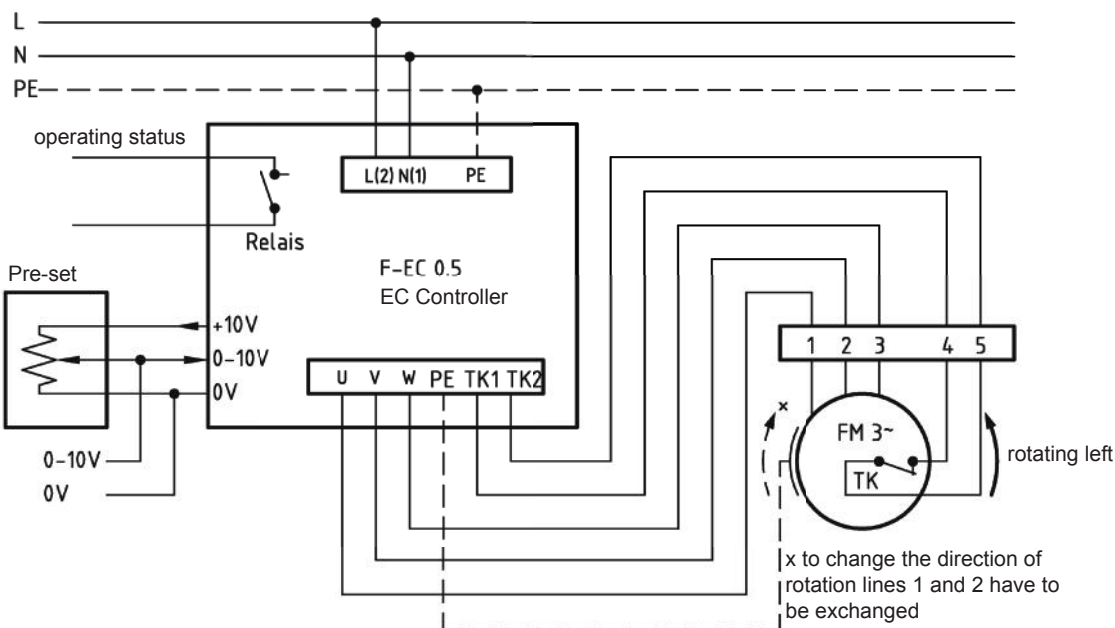
phone: +36 (30) 665-5982
 internet: www.fischbach-air.hu
 email: oxyma@oxyma.hu

Technical Data

weight:	(kg)	15
material housing:	steel, galvanized	
material impeller:	steel, galvanized	
direction of rotation:	left	
motor protection class:	IP 65	
insulation class:	F	
motor protection:	thermal contact	



connection plan*
 F-EC 0.5



* Connection only according to the enclosed technical documentation.

the silent one



Series: **ROOF TOP UNIT TYPE 40, flat**
 with FISCHBACH COMPACT FAN
 Type CE **EC-MOTOR**

FISCHBACH
 Luft- und Ventilatorentechnik GmbH

Type: 40-1-EC CE470/EM10

Erp 2013 2015 2018 x

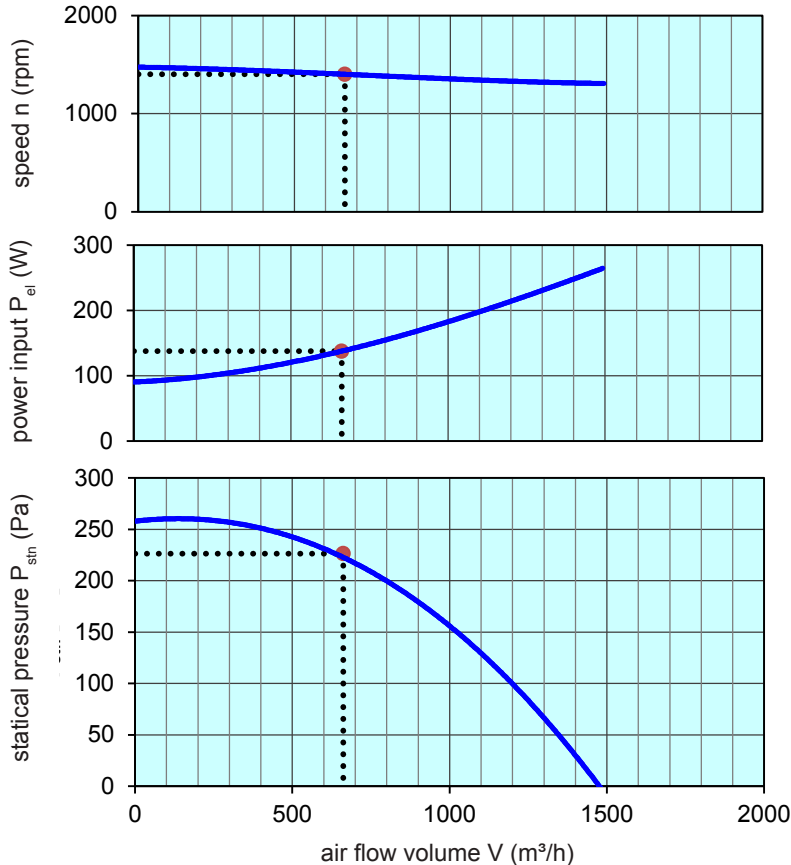
Performance data

main voltage:	(V)	230 (1~)
frequency:	(Hz)	50
current max.:	(A)	1,7
power input max.:	(kW)	0,26
air flow volume max.:	(m³/h)	1493
statical pressure max.:	(Pa)	261
speed max.:	(rpm)	1473
supply air temperature:	(°C)	-25... +60
capacitor:	(µF)	-

ErP-Data:

total efficiency fan (η_e):	(%)	34,1
installation category:		A
efficiency category:		static
efficiency grade: N	(%)	42
target efficiency (η_{target}):	(%)	29,8
speed controller		yes
year of manufacturing		since 2015
manufacturer:	Fischbach Luft- und Ventilatorentechnik GmbH D-57290 Neunkirchen / HRB 5804 Siegen	
order no.:		upon request
power input:	(kW)	0,14
air flow volume:	(m³/h)	662
statical pressure:	(Pa)	226
speed:	(rpm)	1402
specific ratio:		1

disassembling/recycling/disposal: see page decommission
 installation/operation/maintenance: see operating and mounting instructions
 measurement for determination of efficiency without additional items



control with	type	order-Nr.
FISCHBACH-EC-controller	F-EC 0.5	63003
FISCHBACH-Pre-set 0-10V (optional accessories)	FS 10	69460

Technical documentation according to page: **General information**