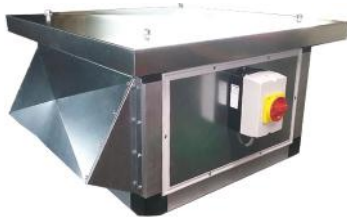


**Series: ROOF TOP UNIT TYPE 42**  
 with FREEWHEELING IMPELLER with  
 backward curved blades - EC-MOTOR

**FISCHBACH**  
 Luft- und Ventilatorentechnik GmbH

**Type: 42.102-EC FLR400/EM25** **ERP KONFORM**

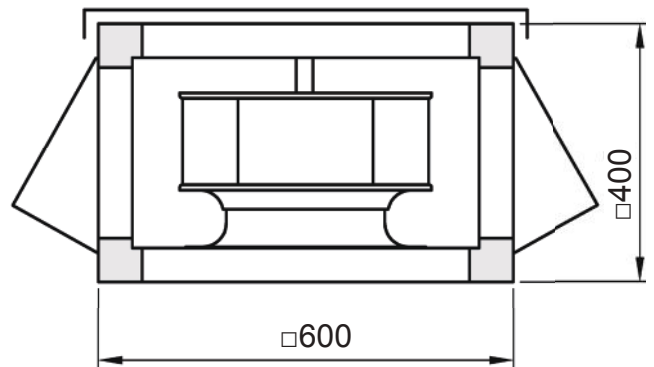


**Forgalmazó:**  
 Oxyma Systems Kft.  
 3433 Nyékládháza, Ady Endre u. 49/A

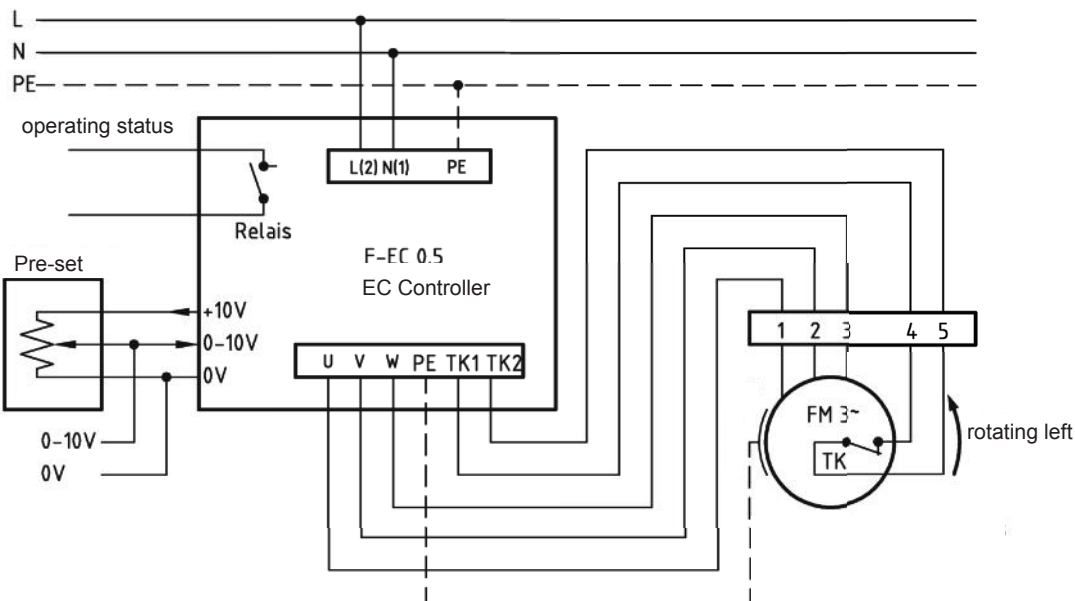
phone: +36 (30) 665-5982  
 internet: www.fischbach-air.hu  
 email: oxyma@oxyma.hu

**Technical Data**

|                         |      |                                       |
|-------------------------|------|---------------------------------------|
| weight:                 | (kg) | 21,5                                  |
| material housing:       |      | aluminum/plastic<br>steel, galvanized |
| material impeller:      |      | steel, galvanized                     |
| direction of rotation:  |      | left                                  |
| motor protection class: |      | IP 65                                 |
| insulation class:       |      | F                                     |
| motor protection:       |      | thermal contact                       |

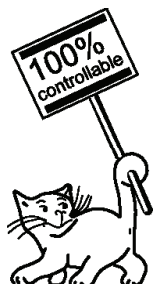


**connection plan\***  
**F-EC 0.5**



\* Connection only according to the enclosed technical documentation.

the silent one



**Series: ROOF TOP UNIT TYPE 42**  
 with FREEWHEELING IMPELLER with  
 backward curved blades - EC-MOTOR

**FISCHBACH**  
 Luft- und Ventilatorentechnik GmbH

**Type: 42.102-EC FLR400/EM25**

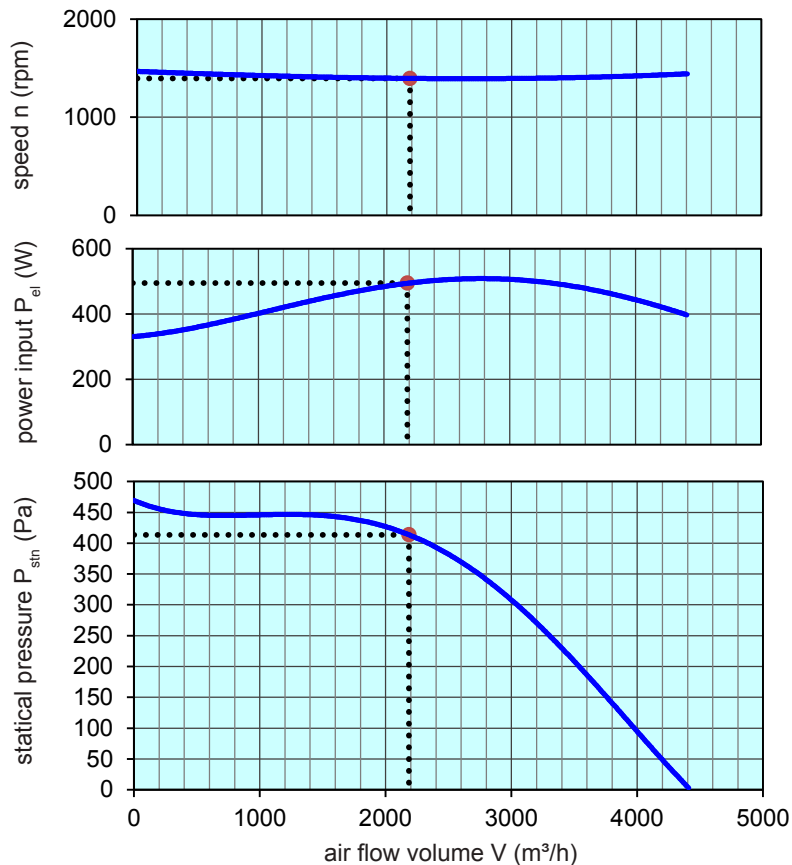
Erp 2013 2015 2018 x

**Performance data**

|                         |        |            |
|-------------------------|--------|------------|
| main voltage:           | (V)    | 230 (1~)   |
| frequency:              | (Hz)   | 50         |
| current max.:           | (A)    | 3,4        |
| power input max.:       | (kW)   | 0,51       |
| air flow volume max.:   | (m³/h) | 4400       |
| statical pressure max.: | (Pa)   | 470        |
| speed max.:             | (rpm)  | 1473       |
| supply air temperature: | (°C)   | -25... +60 |
| capacitor:              | (µF)   | -          |

**ErP-Data:**

|   |   |            |
|---|---|------------|
| total efficiency fan ( $\eta_e$ ):  | (%)   | 56,8       |
| installation category:  |   | A          |
| efficiency category:  |   | static     |
| efficiency grade: N   | (%)   | 62         |
| target efficiency ( $\eta_{target}$ ):                                      | (%)   | 48,2       |
| speed controller  |   | yes        |
| year of manufacturing   |   | since 2015 |
| manufacturer:   | Fischbach Luft- und Ventilatorentechnik GmbH<br>D-57290 Neunkirchen / HRB 5804 Siegen |            |
| order no.:  |   | 58415120   |
| power input:  | (kW)  | 0,49       |
| air flow volume:  | (m³/h)  | 2185       |
| statical pressure:  | (Pa)  | 413        |
| speed:  | (rpm)   | 1420       |
| specific ratio:   |   | 1          |
| disassembling/recycling/disposal: see page decommission                     |   |            |
| installation/operation/maintenance: see operating and mounting instructions |   |            |
| measurement for determination of efficiency without additional items        |   |            |



| control with                                   | type     | order-Nr. |
|--|----------|-----------|
| FISCHBACH-EC-controller                        | F-EC 0.5 | 63003     |
| FISCHBACH-Pre-set 0-10V (optional accessories) | FS 10    | 69460     |

Technical documentation according to page: **General information**