

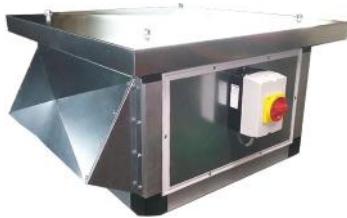
**Series: ROOF TOP UNIT TYPE 42**  
 with FREEWHEELING IMPELLER with  
 backward curved blades - EC-MOTOR

**FISCHBACH**

Luft- und Ventilatorentechnik GmbH

**Type: 42.201-EC FLR450/EM35**

**ERP KONFORM**



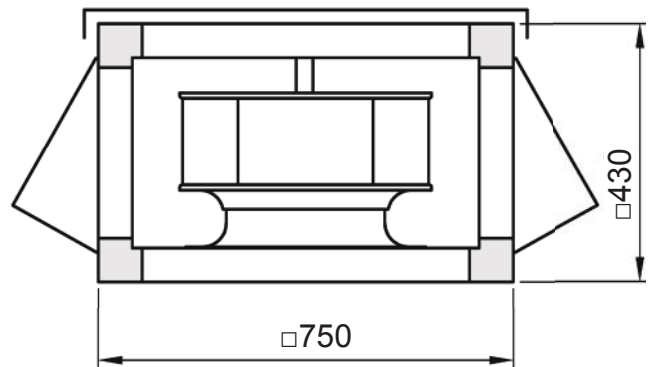
**CE** -conform

**Forgalmazó:**  
 Oxyma Systems Kft.  
 3433 Nyékládháza, Ady Endre u. 49/A

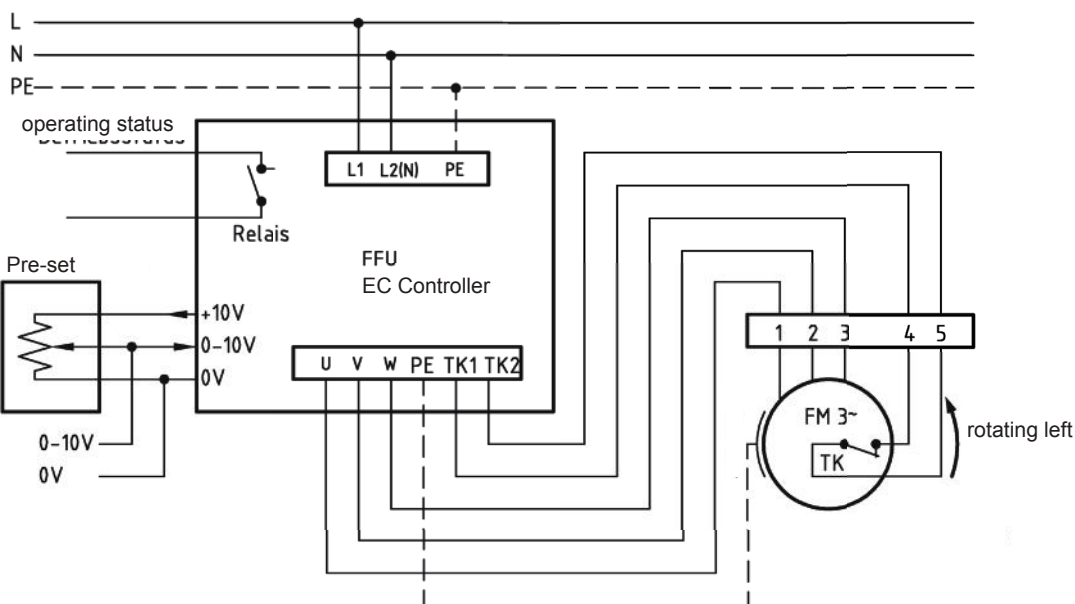
phone: +36 (30) 665-5982  
 internet: www.fischbach-air.hu  
 email: oxyma@oxyma.hu

**Technical Data**

weight:	(kg)	30
material housing:	aluminum/plastic steel, galvanized	
material impeller:	steel, galvanized	
direction of rotation:	left	
motor protection class:	IP 65	
insulation class:	F	
motor protection:	thermal contact	

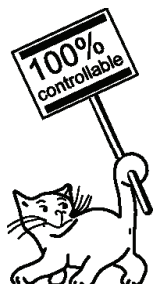


**connection plan\***  
 FFU-EC 230



\* Connection only according to the enclosed technical documentation.

the silent one



**Series: ROOF TOP UNIT TYPE 42**  
 with FREEWHEELING IMPELLER with  
 backward curved blades - EC-MOTOR

**FISCHBACH**  
 Luft- und Ventilatorentechnik GmbH

**Type: 42.201-EC FLR450/EM35**

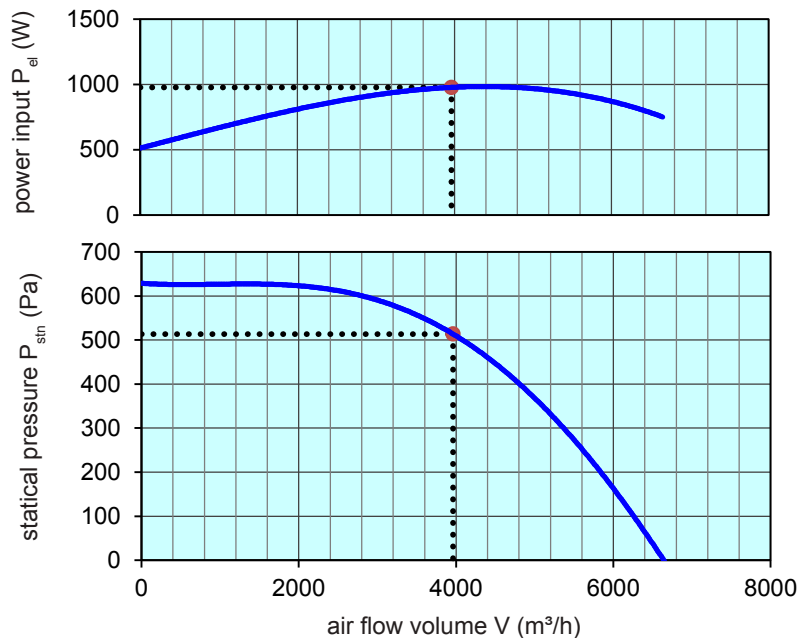
Erp 2013 2015 2018 x

**Performance data**

main voltage:	(V)	230 (1~)
frequency:	(Hz)	50
current max.:	(A)	4,6
power input max.:	(kW)	1,0
air flow volume max.:	(m³/h)	6650
statical pressure max.:	(Pa)	627
speed max.:	(rpm)	1500
supply air temperature:	(°C)	-25... +60
capacitor:	(µF)	-

**ErP-Data:**

total efficiency fan ( $\eta_e$ ):	(%)	63,4
installation category:		A
efficiency category:		static
efficiency grade: N	(%)	62
target efficiency ( $\eta_{target}$ ):	(%)	51,4
speed controller		yes
year of manufacturing		since 2015
manufacturer:	Fischbach Luft- und Ventilatorentechnik GmbH D-57290 Neunkirchen / HRB 5804 Siegen	
order no.:		58415130
power input:	(kW)	0,97
air flow volume:	(m³/h)	3961
statical pressure:	(Pa)	513
speed:	(rpm)	1500
specific ratio:		1
disassembling/recycling/disposal: see page decommission		
installation/operation/maintenance: see operating and mounting instructions		
measurement for determination of efficiency without additional items		



control with	type	order-Nr.
FISCHBACH-frequency-converter	FFU1-21-2.2	63720
FISCHBACH-Pre-set 0-10V (optional accessories)	FS 10	69460

Technical documentation according to page: **General information**