

Series: ROOF TOP UNIT TYPE 41, norm
with FISCHBACH COMPACT FAN
Type D/DS

FISCHBACH

Luft- und Ventilatorentechnik GmbH

Type: 41.201 D770/E65

ERP KONFORM

CE -conform

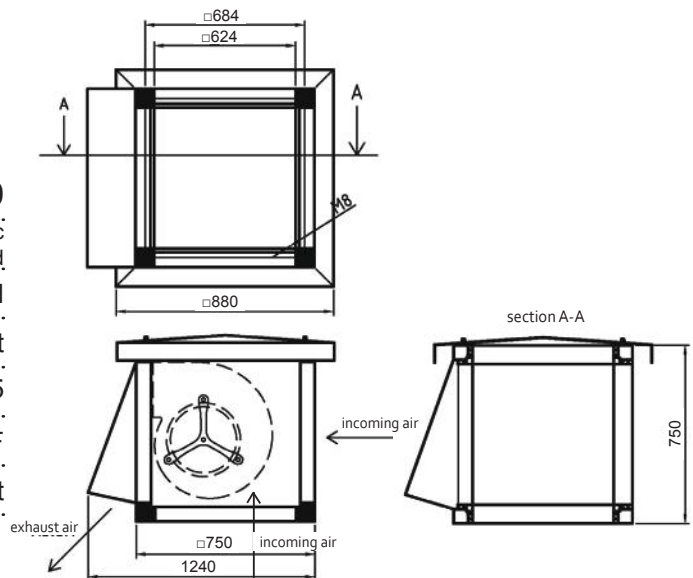


Forgalmazó:
Oxyma Systems Kft.
3433 Nyékládháza, Ady Endre u. 49/A

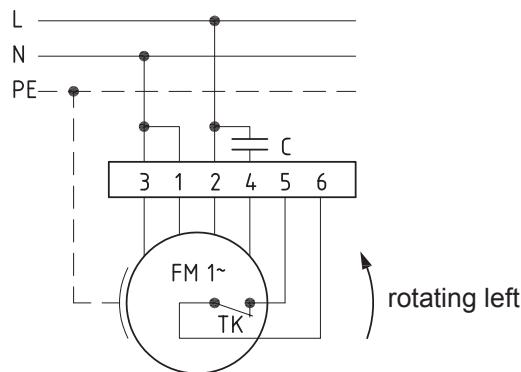
phone: +36 (30) 665-5982
internet: www.fischbach-air.hu
email: oxyma@oxyma.hu

Technical Data

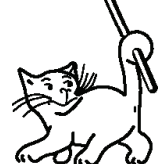
| | | |
|-------------------------|-------------------|----|
| weight: | (kg) | 40 |
| material housing: | aluminum/plastic | |
| | steel, galvanized | |
| material impeller: | steel, galvanized | |
| direction of rotation: | left | |
| motor protection class: | IP 65 | |
| insulation class: | F | |
| motor protection: | thermal contact | |



connection plan
0.11-1 l.



100% controllable



the silent one

Type: 41.201 D770/E65

Erp 2013 2015 x 2018

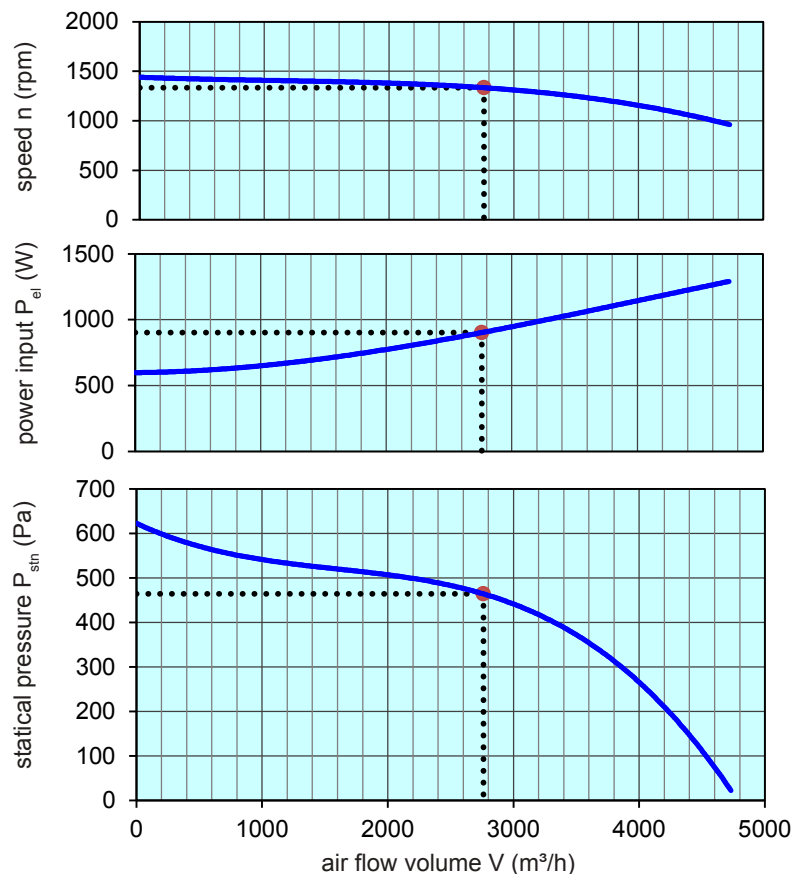
Performance data

| | | |
|-------------------------|--------|-----------|
| main voltage: | (V) | 230 (1~) |
| frequency: | (Hz) | 50 |
| current max.: | (A) | 5,9 |
| power input max.: | (kW) | 1,3 |
| air flow volume max.: | (m³/h) | 4730 |
| statical pressure max.: | (Pa) | 615 |
| speed max.: | (rpm) | 1433 |
| supply air temperature: | (°C) | -25...+60 |
| capacitor: | (µF) | 30 |

ErP-Data:

| | | |
|--|---|------------|
| total efficiency fan (η_e): | (%) | 39,5 |
| installation category: | | A |
| efficiency category: | | static |
| efficiency grade: N | (%) | 44 |
| target efficiency (η_{target}): | (%) | 37,4 |
| speed controller | | no |
| year of manufacturing | | since 2015 |
| manufacturer: | Fischbach Luft- und Ventilatorentechnik GmbH D-57290 Neunkirchen / HRB 5804 Siegen | |
| order no.: | | 18412008 |
| power input: | (kW) | 0,9 |
| air flow volume: | (m³/h) | 2761 |
| statical pressure: | (Pa) | 464 |
| speed: | (rpm) | 1334 |
| specific ratio: | | 1 |

disassembling/recycling/disposal: see page decommission
 installation/operation/maintenance: see operating and mounting instructions
 measurement for determination of efficiency without additional items



Speed controller / accessories / sound data, please see in the appropriate table

Technical documentation according to page: **General information**