

**Series: ROOF TOP UNIT TYPE 41, norm**  
with FISCHBACH COMPACT FAN  
Type D/DS

**FISCHBACH**

Luft- und Ventilatorentechnik GmbH

**Type: 41.202 D770/E80**

**ERP KONFORM**

**CE** -conform

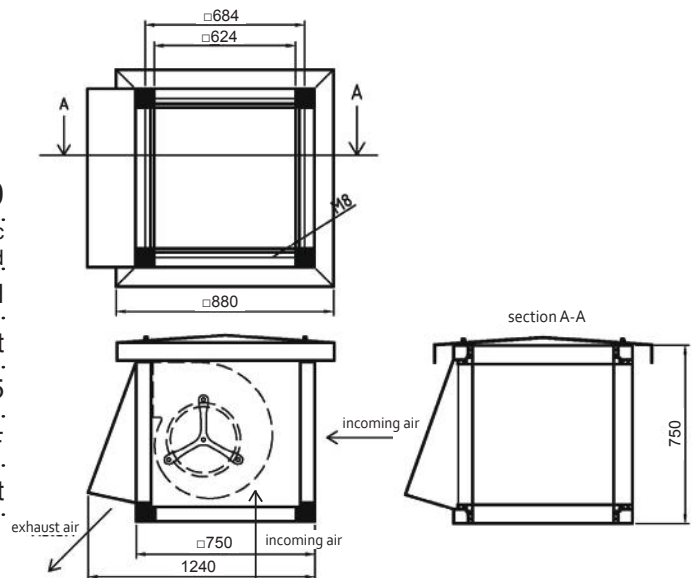


**Forgalmazó:**  
Oxyma Systems Kft.  
3433 Nyékládháza, Ady Endre u. 49/A

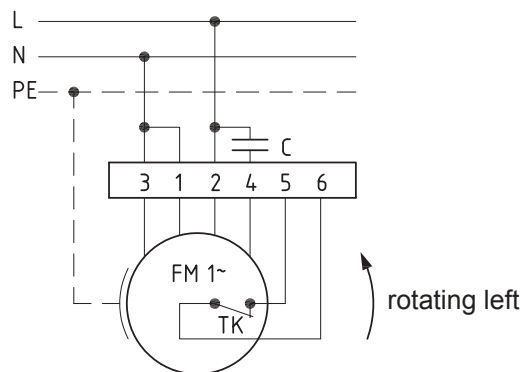
phone: +36 (30) 665-5982  
internet: www.fischbach-air.hu  
email: oxyma@oxyma.hu

**Technical Data**

weight:	(kg)	40
material housing:	aluminum/plastic	
	steel, galvanized	
material impeller:	steel, galvanized	
direction of rotation:	left	
motor protection class:	IP 65	
insulation class:	F	
motor protection:	thermal contact	



**connection plan**  
0.11-1 l.



**100% controllable**



the silent one

**Type: 41.202 D770/E80**

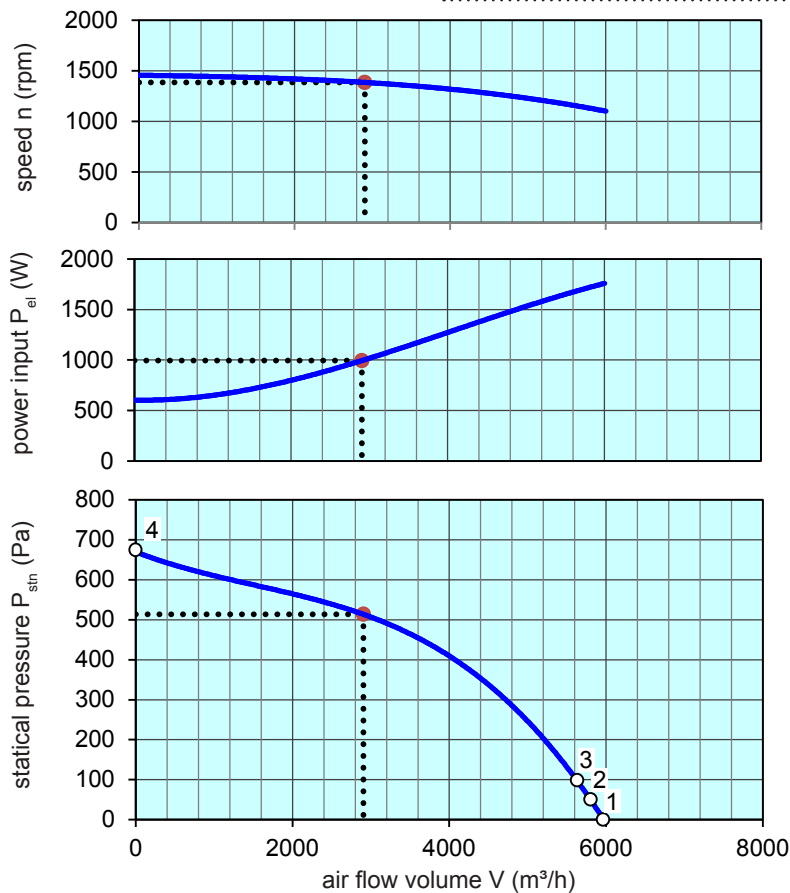
Erp 2013 2015 x 2018

**Performance data**

main voltage:	(V)	230 (1~)
frequency:	(Hz)	50
current max.:	(A)	8,0
power input max.:	(kW)	1,8
air flow volume max.:	(m³/h)	6004
statical pressure max.:	(Pa)	677
speed max.:	(rpm)	1453
supply air temperature:	(°C)	-25... see diagram
capacitor:	(µF)	30

**ErP-Data:**

total efficiency fan ( $\eta_e$ ):	(%)	41,9
installation category:		A
efficiency category:		static
efficiency grade: N	(%)	44
target efficiency ( $\eta_{target}$ ):	(%)	37,6
speed controller		no
year of manufacturing		since 2015
manufacturer:	Fischbach Luft- und Ventilatorentechnik GmbH D-57290 Neunkirchen / HRB 5804 Siegen	
order no.:		18412009
power input:	(kW)	0,99
air flow volume:	(m³/h)	2904
statical pressure:	(Pa)	514
speed:	(rpm)	1383
specific ratio:		1
disassembling/recycling/disposal: see page decommission		
installation/operation/maintenance: see operating and mounting instructions		
measurement for determination of efficiency without additional items		



max. permissible ambient temperature from point 1-2: 40°  
 2-3: 50°  
 3-4: 60°

**Speed controller / accessories / sound data, please see in the appropriate table**

Technical documentation according to page: **General information**