

Series: ROOF TOP UNIT TYPE 41, norm
with FISCHBACH COMPACT FAN
Type D/DS

FISCHBACH

Luft- und Ventilatorentechnik GmbH

Type: 41.311 DS9-001/D5

ERP KONFORM

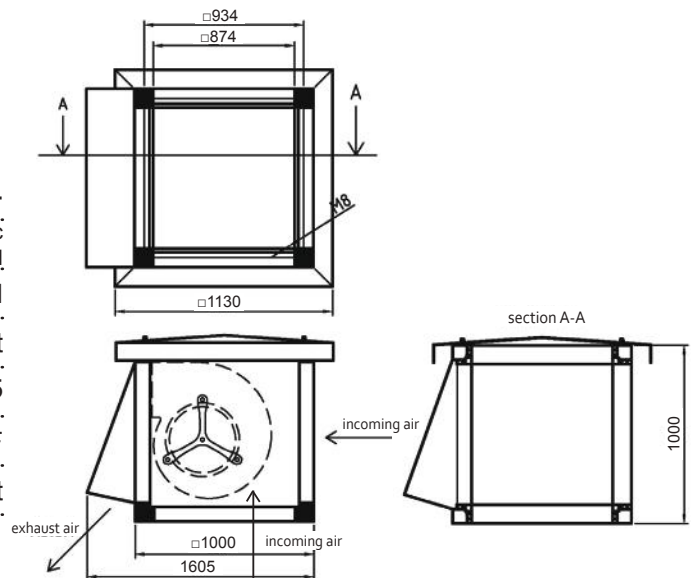


Forgalmazó:
Oxyma Systems Kft.
3433 Nyékládháza, Ady Endre u. 49/A

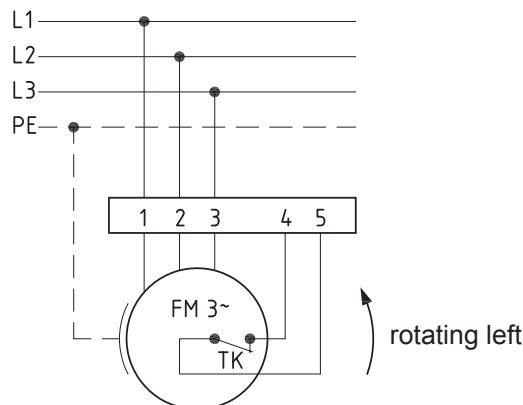
phone: +36 (30) 665-5982
internet: www.fischbach-air.hu
email: oxyma@oxyma.hu

Technical Data

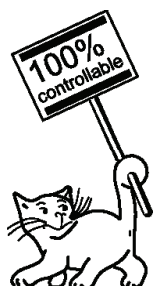
weight:	(kg)	114
material housing:		aluminum/plastic steel, galvanized
material impeller:		steel, galvanized
direction of rotation:		left
motor protection class:		IP 65
insulation class:		F
motor protection:		thermal contact



connection plan
0.13-2 I.



the silent one



Series: **ROOF TOP UNIT TYPE 41, norm**
with FISCHBACH COMPACT FAN
Type D/DS

FISCHBACH
Luft- und Ventilatorentechnik GmbH

Type: 41.311 DS9-001/D5

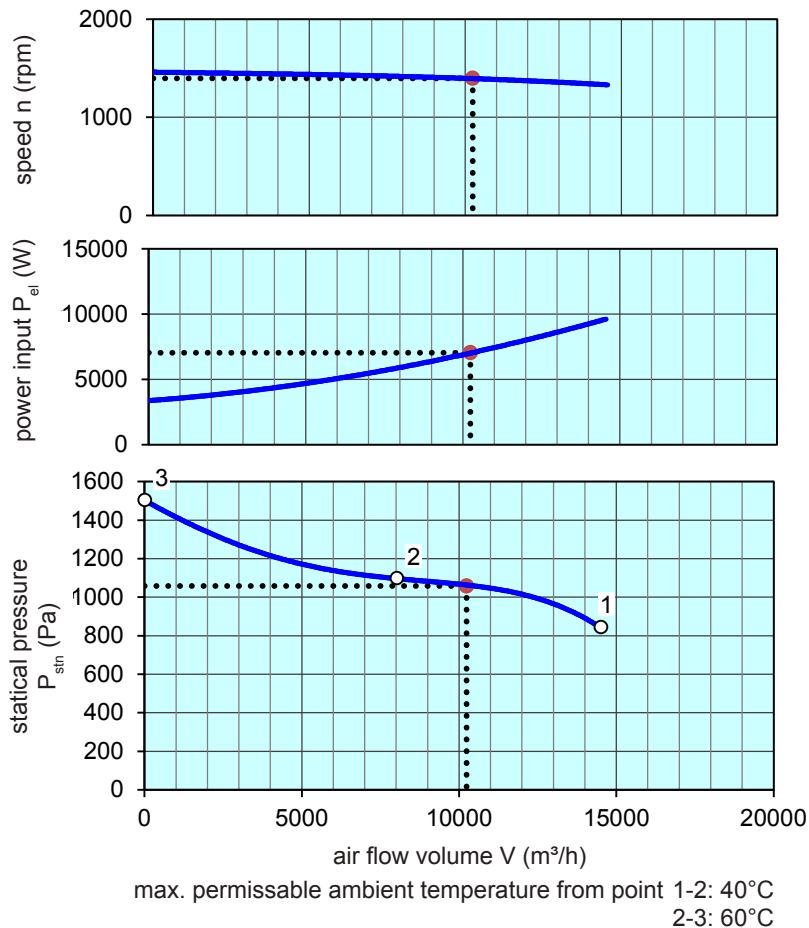
Erp 2013 2015 x 2018

Performance data

main voltage:	(V)	400 (3~)
frequency:	(Hz)	50
current max.:	(A)	19,5
power input max.:	(kW)	9,6
air flow volume max.:	(m³/h)	14560
statical pressure max.:	(Pa)	1500
speed max.:	(rpm)	1458
supply air temperature:	(°C)	-25... see diagram
capacitor:	(µF)	-

ErP-Data:

total efficiency fan (η_e):	(%)	43,0
installation category:		A
efficiency category:		static
efficiency grade: N	(%)	44
target efficiency (η_{target}):	(%)	43,0
speed controller		no
year of manufacturing		since 2015
manufacturer:	Fischbach Luft- und Ventilatorentechnik GmbH D-57290 Neunkirchen / HRB 5804 Siegen	
order no.:		18413110
power input:	(kW)	7,0
air flow volume:	(m³/h)	10240
statical pressure:	(Pa)	1058
speed:	(rpm)	1393
specific ratio:		1
disassembling/recycling/disposal: see page decommission		
installation/operation/maintenance: see operating and mounting instructions		
measurement for determination of efficiency without additional items		



Speed controller / accessories / sound data, please see in the appropriate table

Technical documentation according to page: **General information**