

**Series: VENTILATION UNIT VN standard**  
 with FISCHBACH COMPACT FAN  
 Type D/DS **EC-MOTOR**

**FISCHBACH**  
 Luft- und Ventilatorentechnik GmbH

**Type: VN101-EC D540/EM25**

**ERP KONFORM**

**CE** -conform

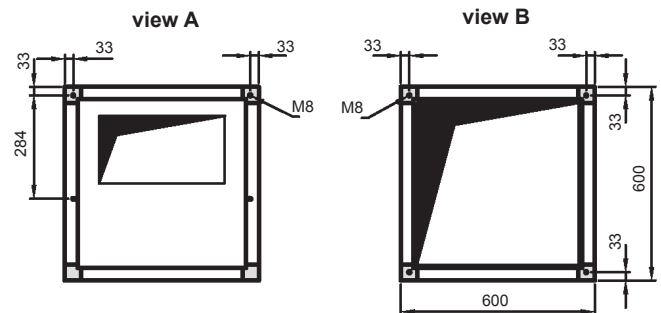
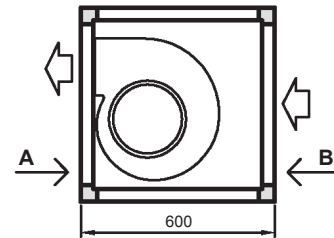


**Forgalmazó:**  
 Oxyma Systems Kft.  
 3433 Nyékládháza, Ady Endre u. 49/A

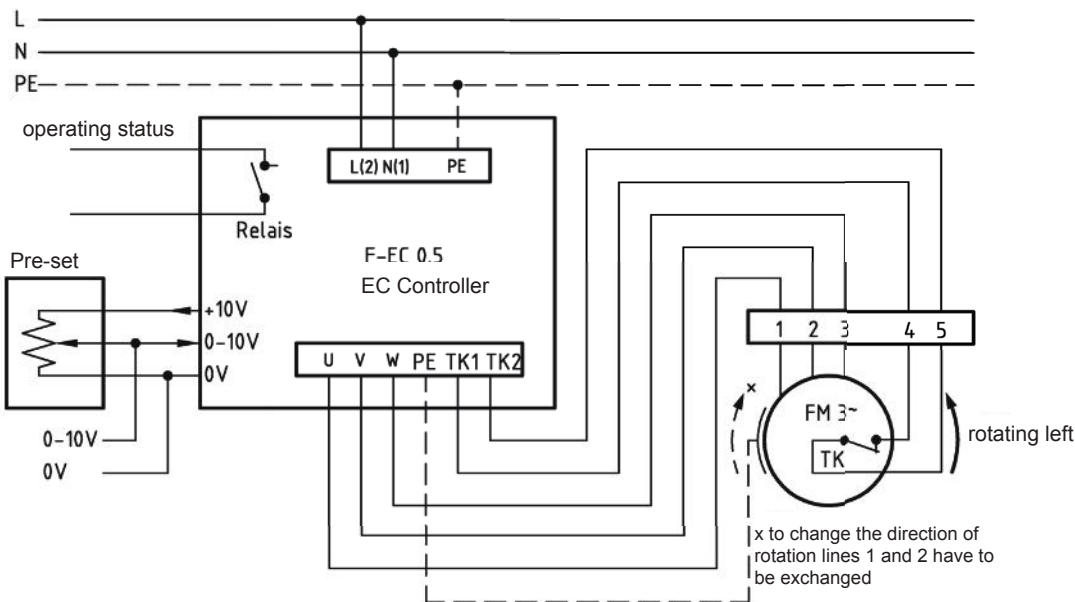
phone: +36 (30) 665-5982  
 internet: www.fischbach-air.hu  
 email: oxyma@oxyma.hu

**Technical Data**

weight: (kg) 22  
 material housing: aluminum/plastic  
 steel, galvanized  
 material impeller: steel, galvanized  
 direction of rotation: left  
 motor protection class: IP 65  
 insulation class: F  
 motor protection: thermal contact



**connection plan\***  
**F-EC 0.5**



\* Connection only according to the enclosed technical documentation.

the silent one



**Type: VN101-EC D540/EM25**

Erp 2013 2015 2018 x

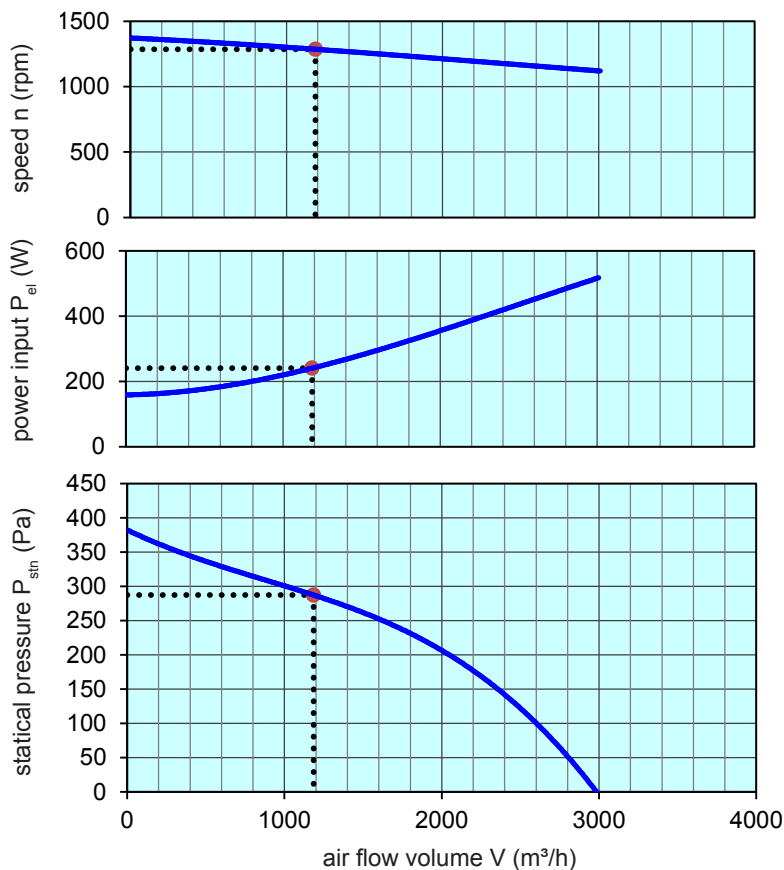
**Performance data**

main voltage:	(V)	230 (1~)
frequency:	(Hz)	50
current max.:	(A)	3,5
power input max.:	(kW)	0,52
air flow volume max.:	(m³/h)	3010
statical pressure max.:	(Pa)	381
speed max.:	(rpm)	1365
supply air temperature:	(°C)	-25... +60
capacitor:	(µF)	-

**ErP-Data:**

total efficiency fan ( $\eta_e$ ):	(%)	44,5
installation category:		A
efficiency category:		static
efficiency grade: N	(%)	42
target efficiency ( $\eta_{target}$ ):	(%)	33,2
speed controller		yes
year of manufacturing		since 2015
manufacturer:	Fischbach Luft- und Ventilatorentechnik GmbH D-57290 Neunkirchen / HRB 5804 Siegen	
order no.:		upon request
power input:	(kW)	0,24
air flow volume:	(m³/h)	1185
statical pressure:	(Pa)	287
speed:	(rpm)	1285
specific ratio:		1

disassembling/recycling/disposal: see page decommission  
 installation/operation/maintenance: see operating and mounting instructions  
 measurement for determination of efficiency without additional items



control with	type	order-Nr.
FISCHBACH-EC-controller	F-EC 0.5	63003
FISCHBACH-Pre-set 0-10V (optional accessories)	FS 10	69460

Technical documentation according to page: **General information**