

Series: VENTILATION UNIT VN standard
 with FISCHBACH COMPACT FAN
 Type D/DS **EC-MOTOR**

FISCHBACH
 Luft- und Ventilatorentechnik GmbH

Type: VN104-EC DS6-740/DM500 **ERP KONFORM**

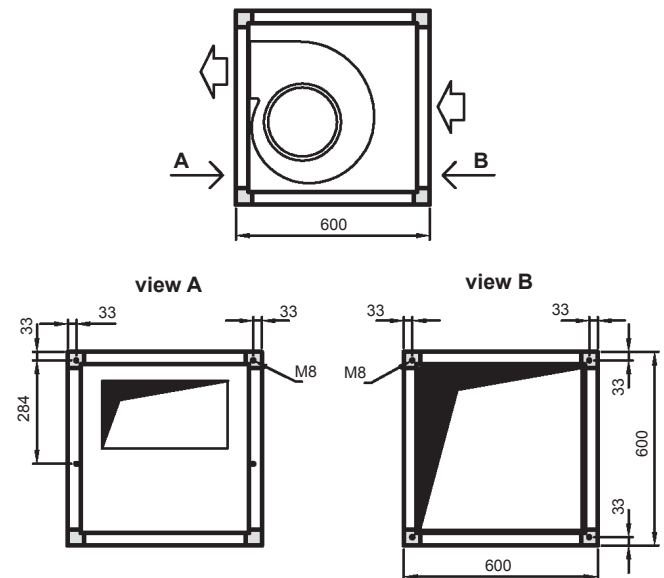


Forgalmazó:
 Oxyma Systems Kft.
 3433 Nyékládháza, Ady Endre u. 49/A

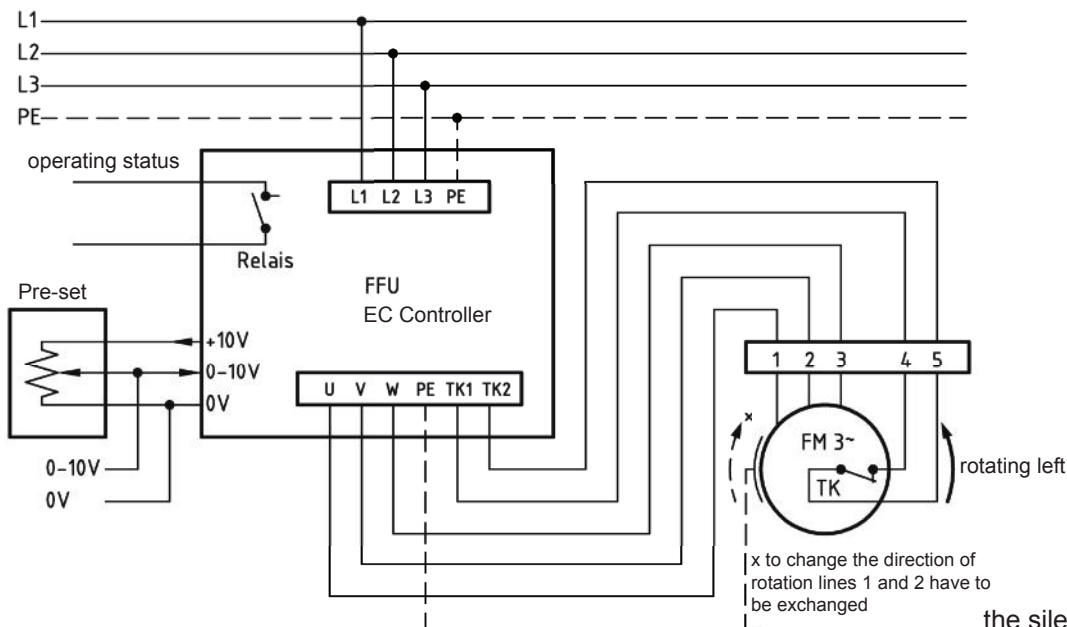
phone: +36 (30) 665-5982
 internet: www.fischbach-air.hu
 email: oxyma@oxyma.hu

Technical Data

weight: (kg) 30
 material housing: aluminum/plastic
 steel, galvanized
 material impeller: steel, galvanized
 direction of rotation: left
 motor protection class: IP 65
 insulation class: F
 motor protection: thermal contact

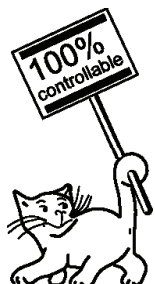


connection plan*
FFU-EC 400



* Connection only according to the enclosed technical documentation.

the silent one



Type: VN104-EC DS6-740/DM500

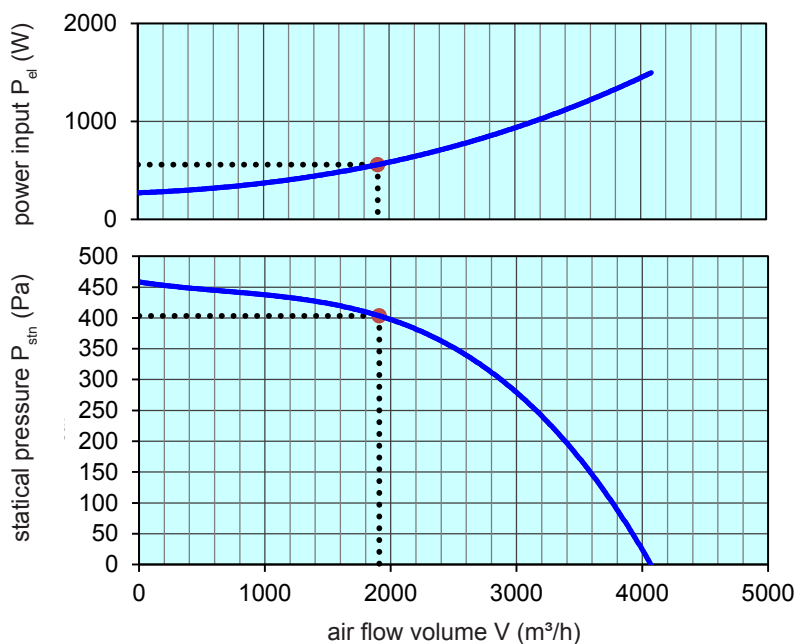
Erp 2013 2015 2018 x

Performance data

main voltage:	(V)	400 (3~)
frequency:	(Hz)	50
current max.:	(A)	3,6
power input max.:	(kW)	1,4
air flow volume max.:	(m³/h)	4050
statical pressure max.:	(Pa)	445
speed max.:	(rpm)	1350
supply air temperature:	(°C)	-25... +60
capacitor:	(µF)	-

ErP-Data:

total efficiency fan (η_e):	(%)	42,2
installation category:		A
efficiency category:		static
efficiency grade: N	(%)	42
target efficiency (η_{target}):	(%)	38,4
speed controller		yes
year of manufacturing		since 2015
manufacturer:	Fischbach Luft- und Ventilatorentechnik GmbH D-57290 Neunkirchen / HRB 5804 Siegen	
order no.:		upon request
power input:	(kW)	0,56
air flow volume:	(m³/h)	1910
statical pressure:	(Pa)	403
speed:	(rpm)	1350
specific ratio:		1
disassembling/recycling/disposal: see page decommission		
installation/operation/maintenance: see operating and mounting instructions		
measurement for determination of efficiency without additional items		



control with	type	order-Nr.
FISCHBACH-frequency-converter	FFU3-21-1.5	63740
FISCHBACH-Pre-set 0-10V (optional accessories)	FS 10	69460

Technical documentation according to page: **General information**