

Series: COMPACT-FAN Type CEK
with external motor
single inlet
with forward curved blades

FISCHBACH
Luft- und Ventilatorentechnik GmbH

Type: CEK670/E35

ERP KONFORM



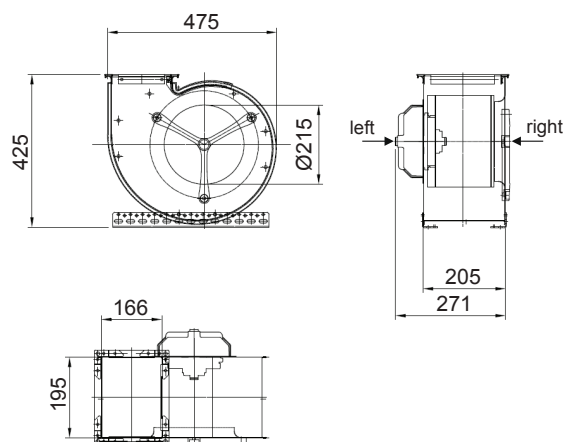
CE -conform

Forgalmazó:
Oxyrna Systems Kft.
3433 Nyékládháza, Ady Endre u. 49/A

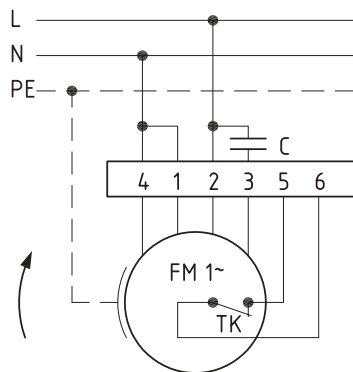
phone: +36 (30) 665-5982
internet: www.fischbach-air.hu
email: oxyrna@oxyrna.hu

Technical Data

weight:	(kg)	20
material housing:	steel, galvanized	
material impeller:	steel, galvanized	
direction of rotation:	left/right	
protection class:	IP 65	
insulation class:	F	
motor protection:	thermal contact	

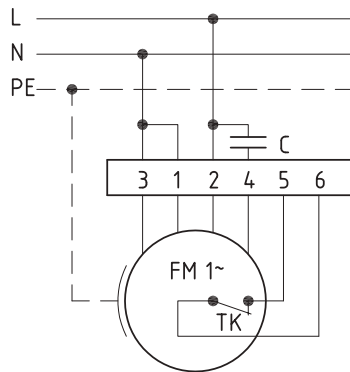


connection plan
0.11-1 r.



rotating right

connection plan
0.11-1 l.



rotating left

the silent one



Series: COMPACT-FAN Type CEK
with external motor
single inlet
with forward curved blades

FISCHBACH

Luft- und Ventilatorentechnik GmbH

Type: CEK670/E35

Erp 2013 2015 x 2018

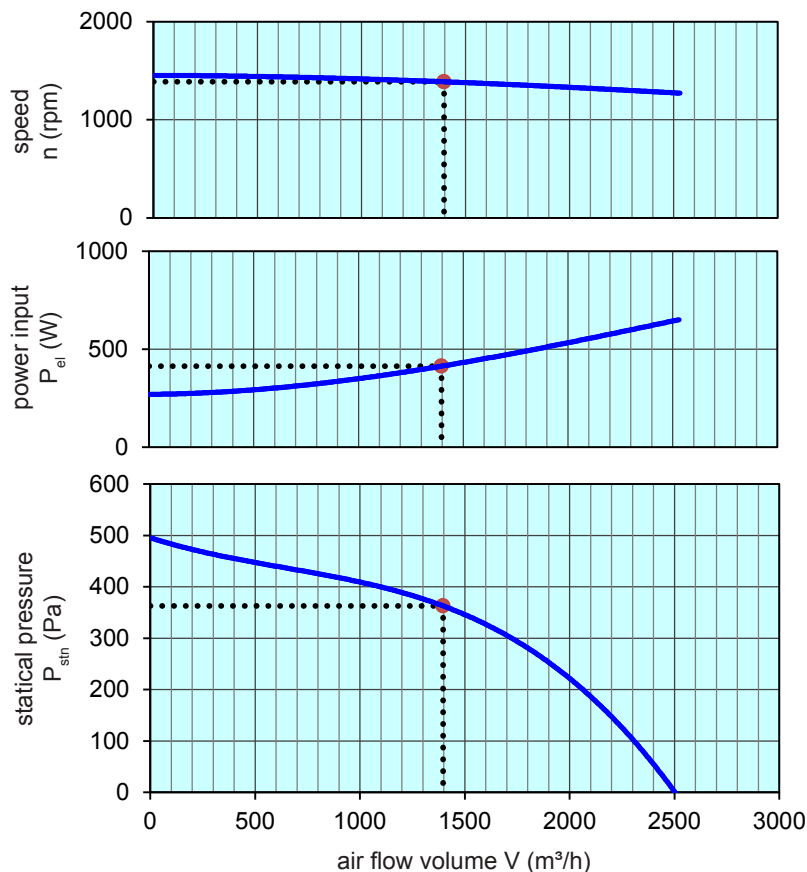
Performance data

main voltage:	(V)	230 (1~)
frequency:	(Hz)	50
current max.:	(A)	3,1
power input max.:	(kW)	0,65
air flow volume max.:	(m³/h)	2530
statical pressure max.:	(Pa)	495
speed max.:	(rpm)	1452
max. air flow temperature	(°C)	80
max. ambient temperature	(°C)	40
capacitor:	(µF)	16

ErP-Data:

total efficiency fan (η_e):	(%)	35,5
installation category:		A
efficiency category:		static
efficiency grade: N	(%)	44
target efficiency (η_{target}):	(%)	35,2
speed controller		no
year of manufacturing		since 2015
manufacturer:	Fischbach Luft- und Ventilatorentechnik GmbH D-57290 Neunkirchen / HRB 5804 Siegen	
order no. (left/right)		18024030/18024330
power input:	(kW)	0,4
air flow volume:	(m³/h)	1400
statical pressure:	(Pa)	365
speed:	(rpm)	1388
specific ratio:		1

disassembling/recycling/disposal: see page decommission
installation/operation/maintenance: see operating and mounting instructions
measurement for determination of efficiency without additional items



Speed controller / accessories / sound data, please see in the appropriate table

Technical documentation according to page: **General information**