

**Series:** COMPACT-FAN Type CE  
 EC-MOTOR  
 single inlet  
 with forward curved blades

**FISCHBACH**  
 Luft- und Ventilatorentechnik GmbH

**Type:** CE470/EM10-R

ERP KONFORM

CE -conform

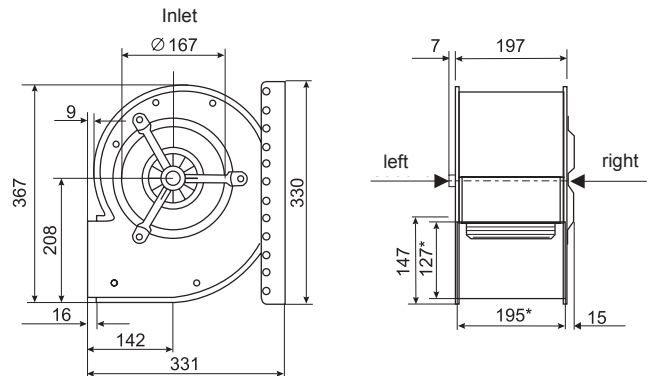


**Forgalmazó:**  
 Oxyma Systems Kft.  
 3433 Nyékládháza, Ady Endre u. 49/A

phone: +36 (30) 665-5982  
 internet: www.fischbach-air.hu  
 email: oxyma@oxyma.hu

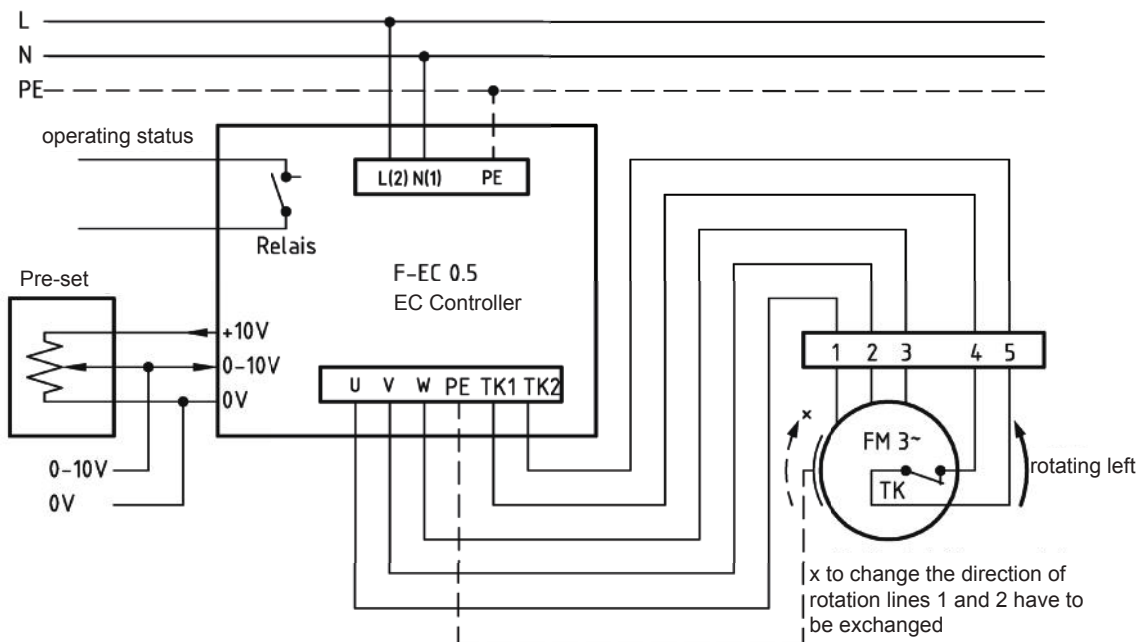
**Technical Data**

|                        |                   |    |
|------------------------|-------------------|----|
| weight:                | (kg)              | 10 |
| material housing:      | steel, galvanized |    |
| material impeller:     | steel, galvanized |    |
| direction of rotation: | left/right        |    |
| protection class:      | IP 65             |    |
| insulation class:      | F                 |    |
| motor protection:      | thermal contact   |    |



\*external dimension of discharge

**connection plan\*  
 F-EC 0.5**



\* Connection only according to the enclosed technical documentation.

the silent one

**Series: COMPACT-FAN Type CE**  
**EC-MOTOR**  
 single inlet  
 with forward curved blades

**FISCHBACH**

Luft- und Ventilatorentechnik GmbH

**Type: CE470/EM10-R**

Erp 2013 2015 2018 x

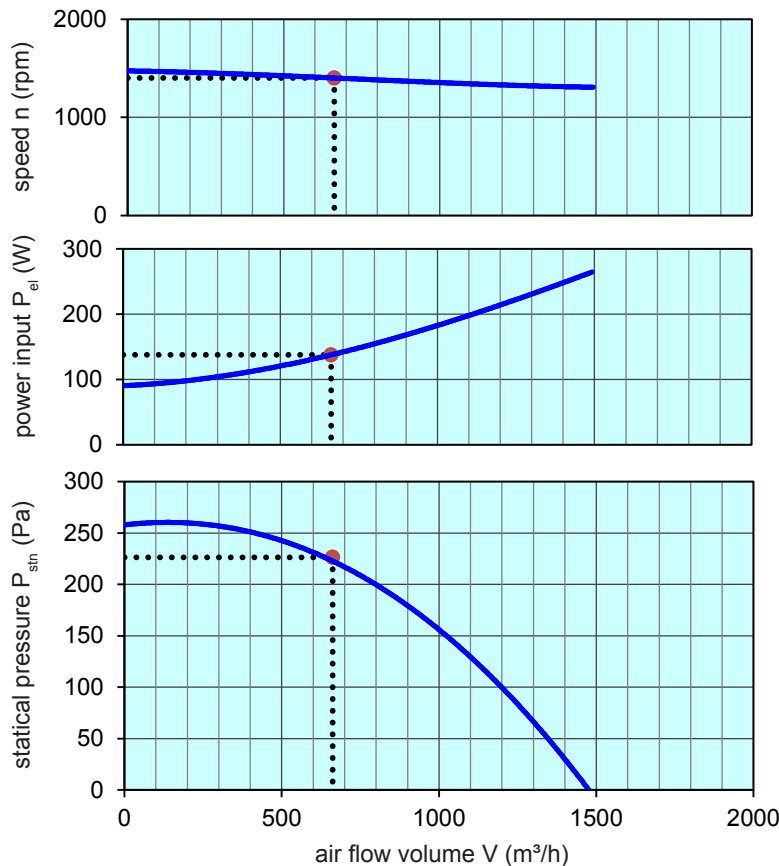
**Performance data**

|                         |        |            |
|-------------------------|--------|------------|
| main voltage:           | (V)    | 230 (1~)   |
| frequency:              | (Hz)   | 50         |
| current max.:           | (A)    | 1,7        |
| power input max.:       | (kW)   | 0,26       |
| air flow volume max.:   | (m³/h) | 1493       |
| statical pressure max.: | (Pa)   | 261        |
| speed max.:             | (rpm)  | 1473       |
| supply air temperature: | (°C)   | -25... +60 |
| capacitor:              | (µF)   | -          |

**ErP-Data:**

|   |        |                   |
|---|--------|-------------------|
| total efficiency fan ( $\eta_e$ ):  | (%)    | 34,1              |
| installation category:  |        | A                 |
| efficiency category:  |        | static            |
| efficiency grade: N   | (%)    | 42                |
| target efficiency ( $\eta_{target}$ ):  | (%)    | 29,8              |
| speed controller  |        | yes               |
| year of manufacturing   |        | since 2015        |
| manufacturer: Fischbach Luft- und Ventilatorentechnik GmbH<br>D-57290 Neunkirchen / HRB 5804 Siegen |        |                   |
| order no. (left/right)  |        | 18121010/18121310 |
| power input:  | (kW)   | 0,14              |
| air flow volume:  | (m³/h) | 662               |
| statical pressure:  | (Pa)   | 226               |
| speed:  | (rpm)  | 1402              |
| specific ratio:   |        | 1                 |

disassembling/recycling/disposal: see page decommission  
 installation/operation/maintenance: see operating and mounting instructions  
 measurement for determination of efficiency without additional items



| control with                                   | type     | order-Nr.    |
|--|----------|--------------|
| FISCHBACH-EC-controller                        | F-EC 0.5 | <b>63003</b> |
| FISCHBACH-Pre-set 0-10V (optional accessories) | FS 10    | <b>69460</b> |

Technical documentation according to page: **General information**