

**Series:** COMPACT-FAN Type D/DS  
 EC-MOTOR  
 double inlet  
 with forward curved blades

**FISCHBACH**

Luft- und Ventilatorentechnik GmbH

**Type:** DS6-770/EM850

ERP KONFORM

CE -conform

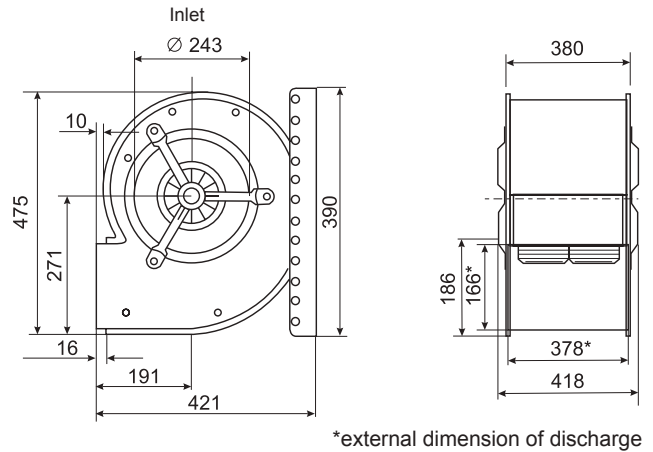


**Forgalmazó:**  
 Oxyma Systems Kft.  
 3433 Nyékládháza, Ady Endre u. 49/A

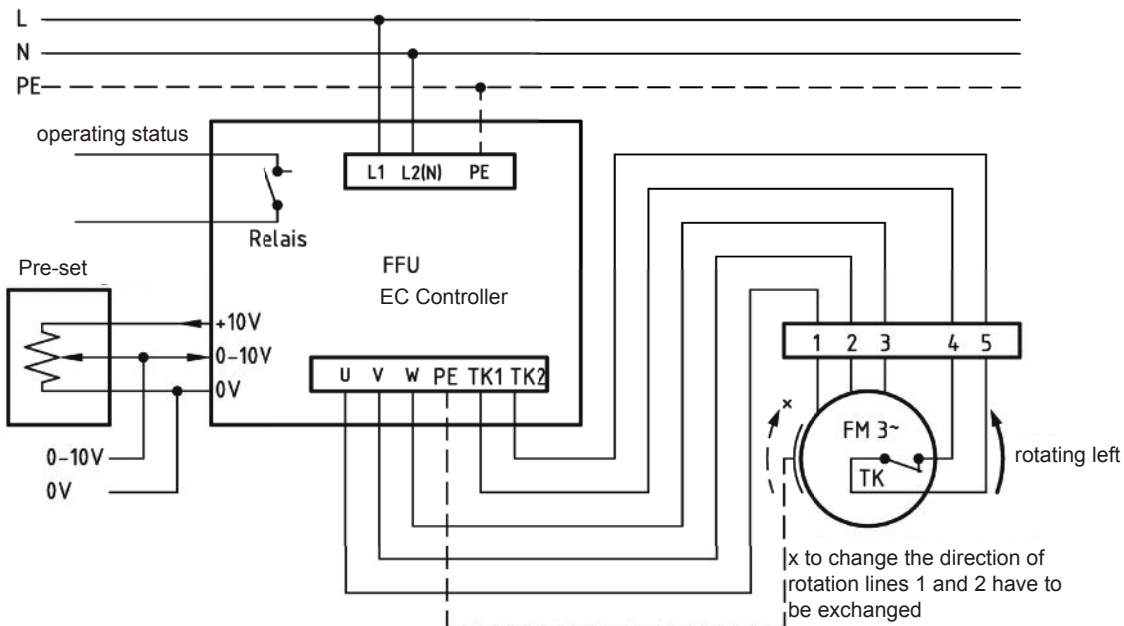
phone: +36 (30) 665-5982  
 internet: www.fischbach-air.hu  
 email: oxyma@oxyma.hu

**Technical Data**

weight:	(kg)	27
material housing:	steel, galvanized	
material impeller:	steel, galvanized	
direction of rotation:	left	
protection class:	IP 65	
insulation class:	F	
motor protection:	thermal contact	



**connection plan\*  
 FFU-EC 230**



\* Connection only according to the enclosed technical documentation.

the silent one



**Series: COMPACT-FAN Type D/DS**  
**EC-MOTOR**  
 double inlet  
 with forward curved blades

**FISCHBACH**  
 Luft- und Ventilatorentechnik GmbH

**Type: DS6-770/EM850**

Erp 2013 2015 2018 x

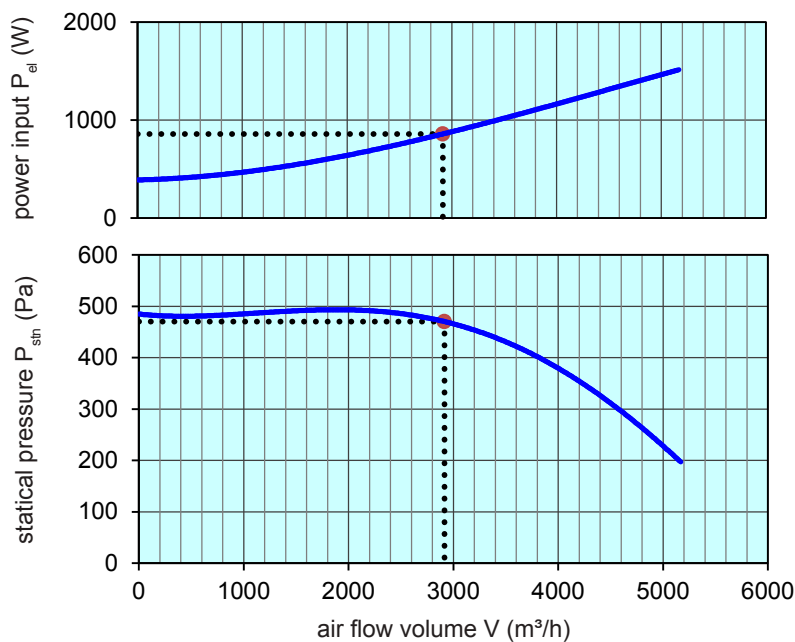
**Performance data**

main voltage:	(V)	230 (1~)
frequency:	(Hz)	50
current max.:	(A)	9,6
power input max.:	(kW)	1,5
air flow volume max.:	(m³/h)	5167
statical pressure max.:	(Pa)	493
speed max.:	(rpm)	1350
supply air temperature:	(°C)	-25... +45
capacitor:	(µF)	-

**ErP-Data:**

total efficiency fan ( $\eta_e$ ):	(%)	48,3
installation category:		A
efficiency category:		static
efficiency grade: N	(%)	42
target efficiency ( $\eta_{target}$ ):	(%)	41,1
speed controller		yes
year of manufacturing		since 2015
manufacturer:	Fischbach Luft- und Ventilatorentechnik GmbH D-57290 Neunkirchen / HRB 5804 Siegen	
order no.		18116250
power input:	(kW)	0,86
air flow volume:	(m³/h)	2915
statical pressure:	(Pa)	470
speed:	(rpm)	1350
specific ratio:		1

disassembling/recycling/disposal: see page decommission  
 installation/operation/maintenance: see operating and mounting instructions  
 measurement for determination of efficiency without additional items



control with	type	order-Nr.
FISCHBACH-frequency-converter	FFU1-21-2.2	63720
FISCHBACH-Pre-set 0-10V (optional accessories)	FS 10	69460

Technical documentation according to page: **General information**