

Series: COMPACT-FAN Type CE
single inlet
with forward curved blades

FISCHBACH
Luft- und Ventilatorentechnik GmbH

Type: CE690/E35

ERP KONFORM

CE -conform

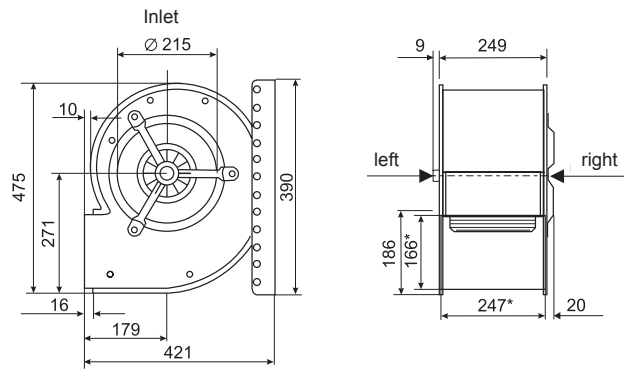


Forgalmazó:
Oxyma Systems Kft.
3433 Nyékládháza, Ady Endre u. 49/A

phone: +36 (30) 665-5982
internet: www.fischbach-air.hu
email: oxyma@oxyma.hu

Technical Data

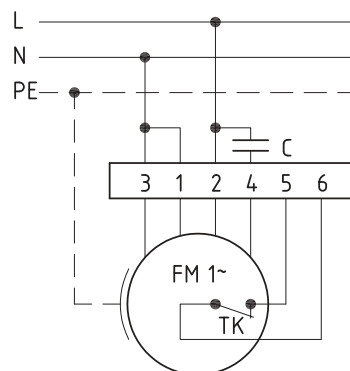
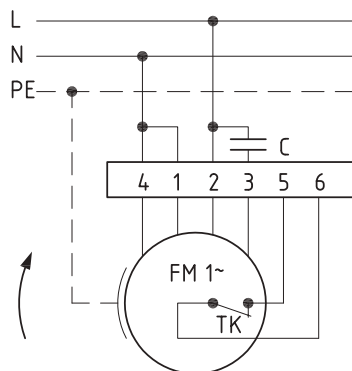
weight:	(kg)	20
material housing:	steel, galvanized	
material impeller:	steel, galvanized	
direction of rotation:	left/right	
protection class:	IP 65	
insulation class:	F	
motor protection:	thermal contact	



*external dimension of discharge

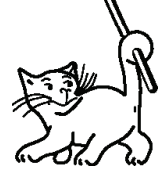
connection plan
0.11-1 r.

connection plan
0.11-1 l.



rotating right

rotating left



the silent one

Series: COMPACT-FAN Type CE
single inlet
with forward curved blades

FISCHBACH
Luft- und Ventilatorentechnik GmbH

Type: CE690/E35

Erp 2015 2016 x 2018

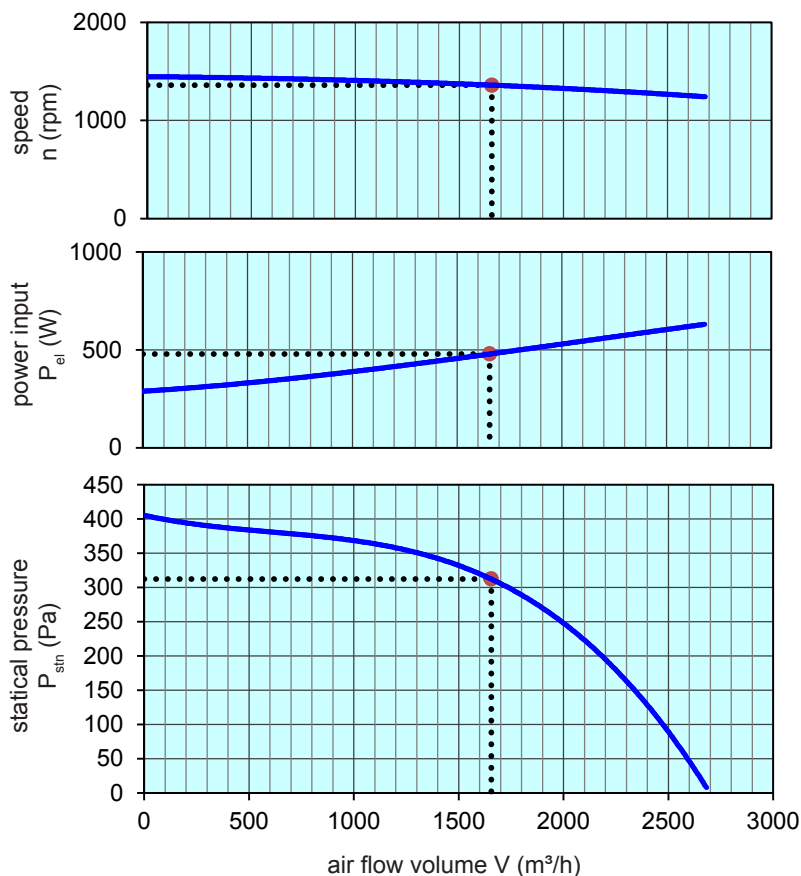
Performance data

main voltage:	(V)	230 (1~)
frequency:	(Hz)	50
current max.:	(A)	3,1
power input max.:	(kW)	0,65
air flow volume max.:	(m³/h)	2682
statical pressure max.:	(Pa)	402
speed max.:	(rpm)	1444
supply air temperature:	(°C)	-20... +70
capacitor:	(µF)	16

ErP-Data:

total efficiency fan (η_e):	(%)	30,4
installation category:		A
efficiency category:		static
efficiency grade: N	(%)	35
target efficiency (η_{target}):	(%)	30,4
speed controller		no
year of manufacturing		since 2015
manufacturer:	Fischbach Luft- und Ventilatorentechnik GmbH D-57290 Neunkirchen / HRB 5804 Siegen	
order no.:	le/ri	18021042/18021342
power input:	(kW)	0,48
air flow volume:	(m³/h)	1665
statical pressure:	(Pa)	315
speed:	(rpm)	1361
specific ratio:		1

disassembling/recycling/disposal: see page decommission
installation/operation/maintenance: see operating and mounting instructions
measurement for determination of efficiency without additional items



Speed controller / accessories / sound data, please see in the appropriate table

Technical documentation according to page: **General information**