

**Series:** COMPACT-FAN Type CE  
single inlet  
with forward curved blades

**FISCHBACH**  
Luft- und Ventilatorentechnik GmbH

**Type:** CE790/E35

ERP KONFORM

CE -conform

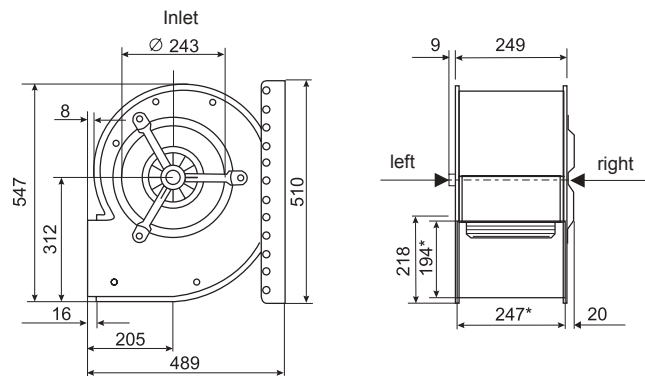


**Forgalmazó:**  
Oxyma Systems Kft.  
3433 Nyékládháza, Ady Endre u. 49/A

phone: +36 (30) 665-5982  
internet: www.fischbach-air.hu  
email: oxyma@oxyma.hu

**Technical Data**

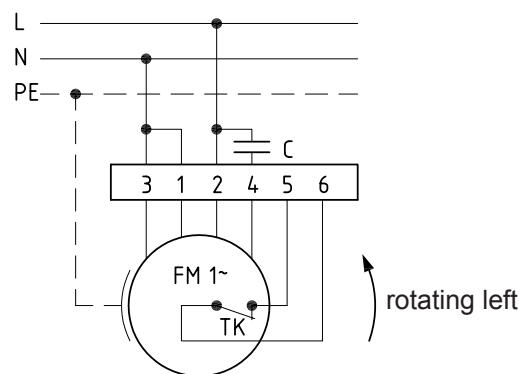
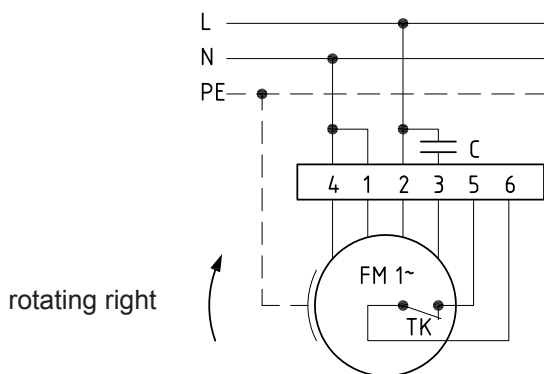
weight:	(kg)	22,5
material housing:	steel, galvanized	
material impeller:	steel, galvanized	
direction of rotation:	left/right	
protection class:	IP 65	
insulation class:	F	
motor protection:	thermal contact	



\*external dimension of discharge

connection plan  
0.11-1 r.

connection plan  
0.11-1 l.



the silent one

**Series: COMPACT-FAN Type CE**  
single inlet  
with forward curved blades

**FISCHBACH**  
Luft- und Ventilatorentechnik GmbH

**Type: CE790/E35**

Erp 2013 2015 x 2018

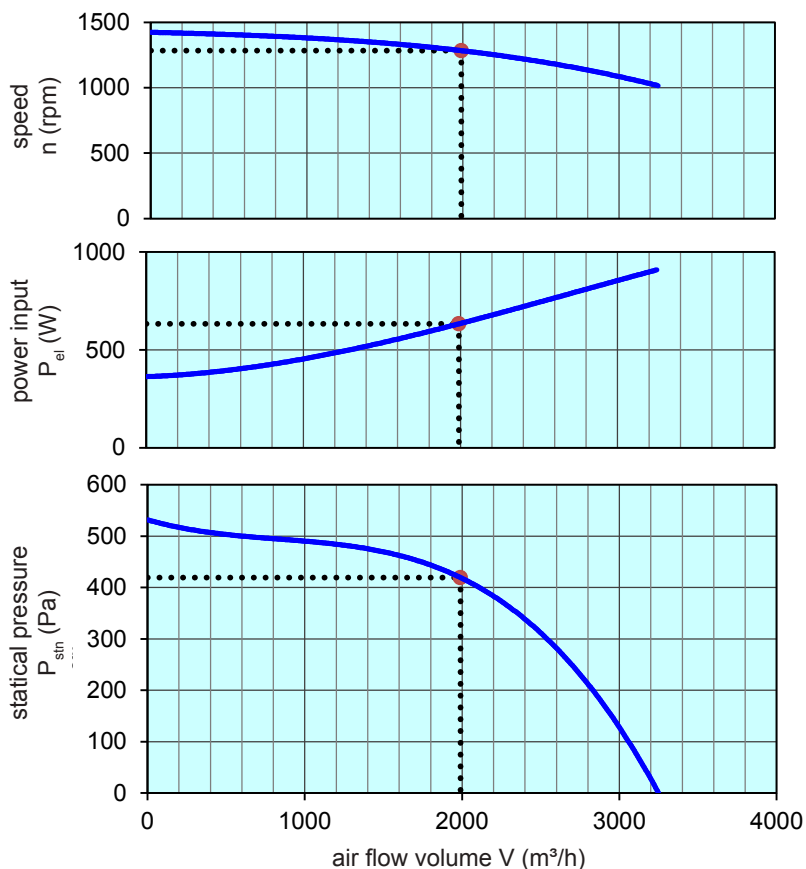
**Performance data**

main voltage:	(V)	230 (1~)
frequency:	(Hz)	50
current max.:	(A)	4,6
power input max.:	(kW)	0,96
air flow volume max.:	(m³/h)	3250
statical pressure max.:	(Pa)	525
speed max.:	(rpm)	1420
supply air temperature:	(°C)	-25... +60
capacitor:	(µF)	20

**ErP-Data**

total efficiency fan ( $\eta_e$ ):	(%)	37,6
installation category:		A
efficiency category:		static
efficiency grade: N	(%)	44
target efficiency ( $\eta_{target}$ ):	(%)	36,4
speed controller		no
year of manufacturing		since 2015
manufacturer:	Fischbach Luft- und Ventilatorentechnik GmbH D-57290 Neunkirchen / HRB 5804 Siegen	
order no.:	le/ri	18021052/18021352
power input:	(kW)	0,62
air flow volume:	(m³/h)	2000
statical pressure:	(Pa)	420
speed:	(rpm)	1284
specific ratio:		1

disassembling/recycling/disposal: see page decommission  
installation/operation/maintenance: see operating and mounting instructions  
measurement for determination of efficiency without additional items



**Speed controller / accessories / sound data**, please see in the appropriate table

Technical documentation according to page: **General information**