

Series: COMPACT-FAN Type CFE
single inlet
with forward curved blades

FISCHBACH
Luft- und Ventilatorentechnik GmbH

Type: CFE5-640/E15

ERP KONFORM



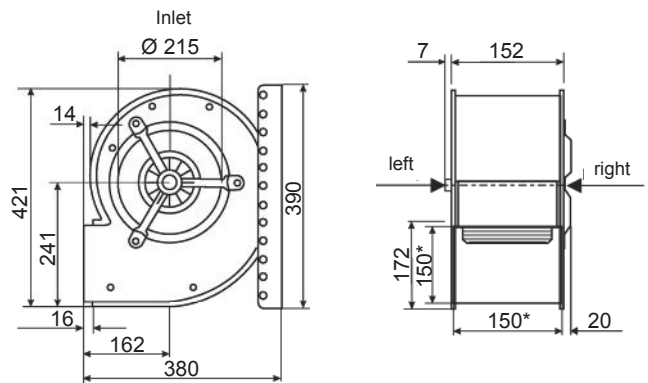
CE -conform

Forgalmazó:
Oxyma Systems Kft.
3433 Nyékládháza, Ady Endre u. 49/A

phone: +36 (30) 665-5982
internet: www.fischbach-air.hu
email: oxyma@oxyma.hu

Technical Data

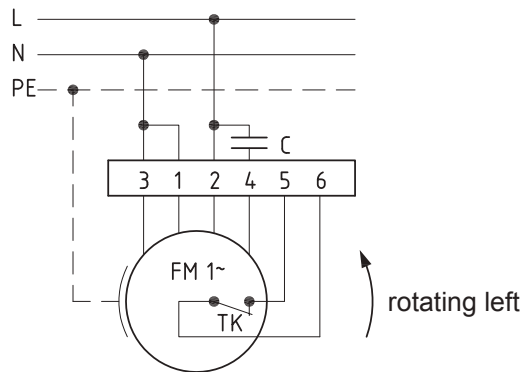
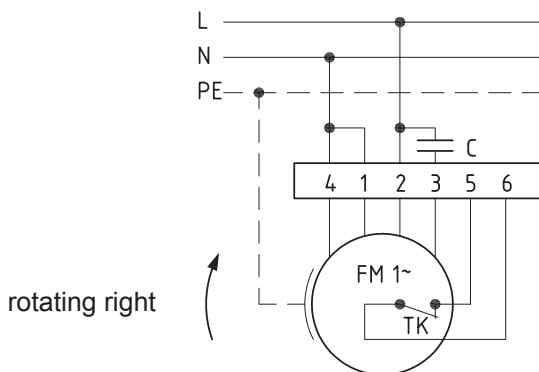
weight:	(kg)	15
material housing:	steel, galvanized	
material impeller:	steel, galvanized	
direction of rotation:	left/right	
protection class:	IP 65	
insulation class:	F	
motor protection:	thermal contact	



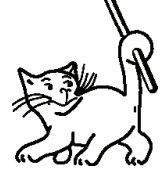
*external dimension of discharge

connection plan
0.11-1 r.

connection plan
0.11-1 l.



100%
controllable



the silent one

Series: COMPACT-FAN Type CFEsingle inlet
with forward curved blades**FISCHBACH**

Luft- und Ventilatorentechnik GmbH

Type: CFE5-640/E15

Erp 2015 2016 x 2018

Performance data

main voltage:	(V)	230 (1~)
frequency:	(Hz)	50
current max.:	(A)	1,7
power input max.:	(kW)	0,37
air flow volume max.:	(m³/h)	1497
statical pressure max.:	(Pa)	386
speed max.:	(rpm)	1419
supply air temperature:	(°C)	-20... +60
capacitor:	(µF)	10

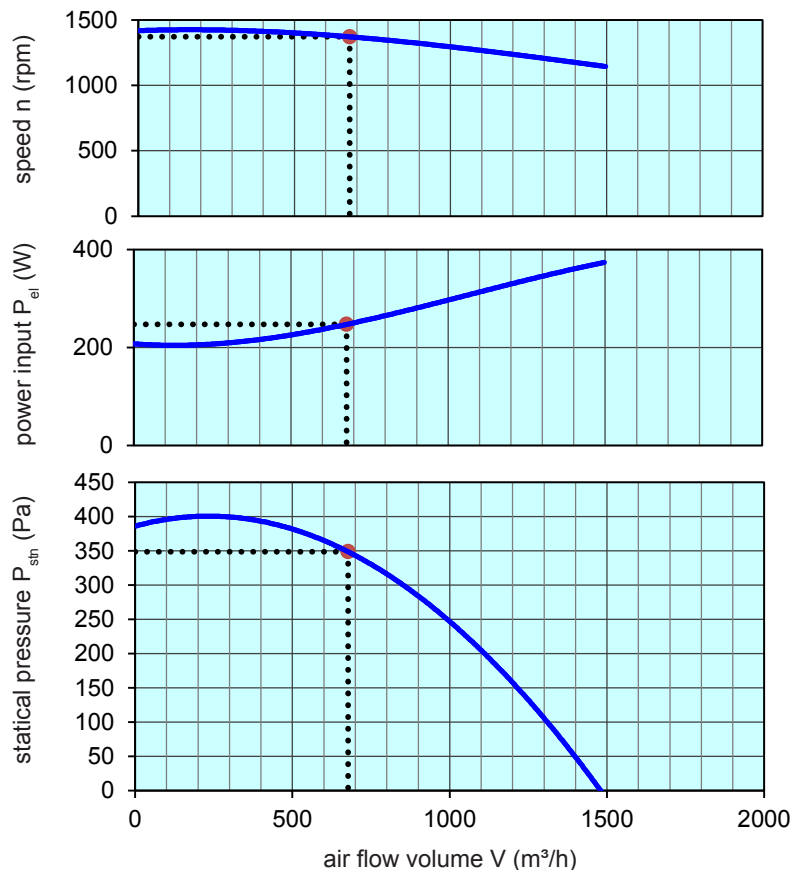
ErP-Data:

total efficiency fan (η_e):	(%)	27,4
installation category:		A
efficiency category:		static
efficiency grade: N	(%)	35
target efficiency (η_{target}):	(%)	26,2
speed controller		no
year of manufacturing		since 2015
manufacturer:	Fischbach Luft- und Ventilatorentechnik GmbH D-57290 Neunkirchen / HRB 5804 Siegen	
order no.: le/ri		18021600/18021800
power input:	(kW)	0,24
air flow volume:	(m³/h)	677
statical pressure:	(Pa)	350
speed:	(rpm)	1372
specific ratio:		1

disassembling/recycling/disposal: see page decommission

installation/operation/maintenance: see operating and mounting instructions

measurement for determination of efficiency without additional items



Speed controller / accessories / sound data, please see in the appropriate table

Technical documentation according to page: **General information**