

Series: COMPACT-FAN Type CFE

single inlet
with forward curved blades

FISCHBACH

Luft- und Ventilatorentechnik GmbH

Type: CFE6-740/E25

ERP KONFORM

CE -conform



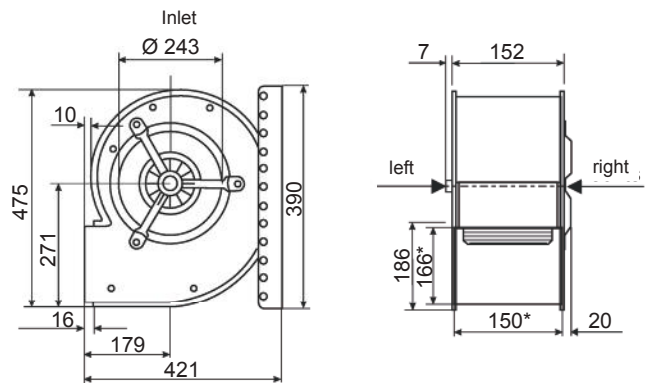
Forgalmazó:

Oxyma Systems Kft.
3433 Nyékládháza, Ady Endre u. 49/A

phone: +36 (30) 665-5982
internet: www.fischbach-air.hu
email: oxyma@oxyma.hu

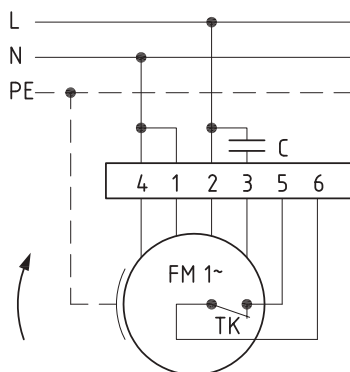
Technical Data

weight:	(kg)	18,5
material housing:	steel, galvanized	
material impeller:	steel, galvanized	
direction of rotation:	left/right	
protection class:	IP 65	
insulation class:	F	
motor protection:	thermal contact	



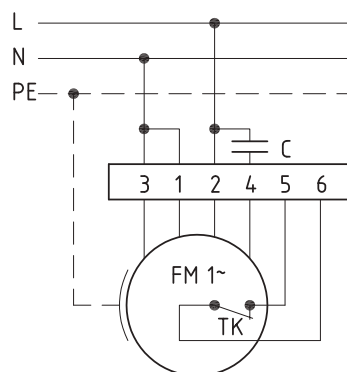
*external dimension of discharge

connection plan
0.11-1 r.



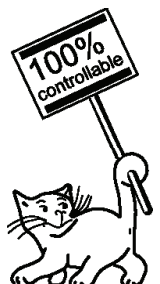
rotating right

connection plan
0.11-1 l.



rotating left

the silent one



Series: COMPACT-FAN Type CFEsingle inlet
with forward curved blades**FISCHBACH**

Luft- und Ventilatorentechnik GmbH

Type: CFE6-740/E25

Erp 2013**x 2015 2018

Performance data

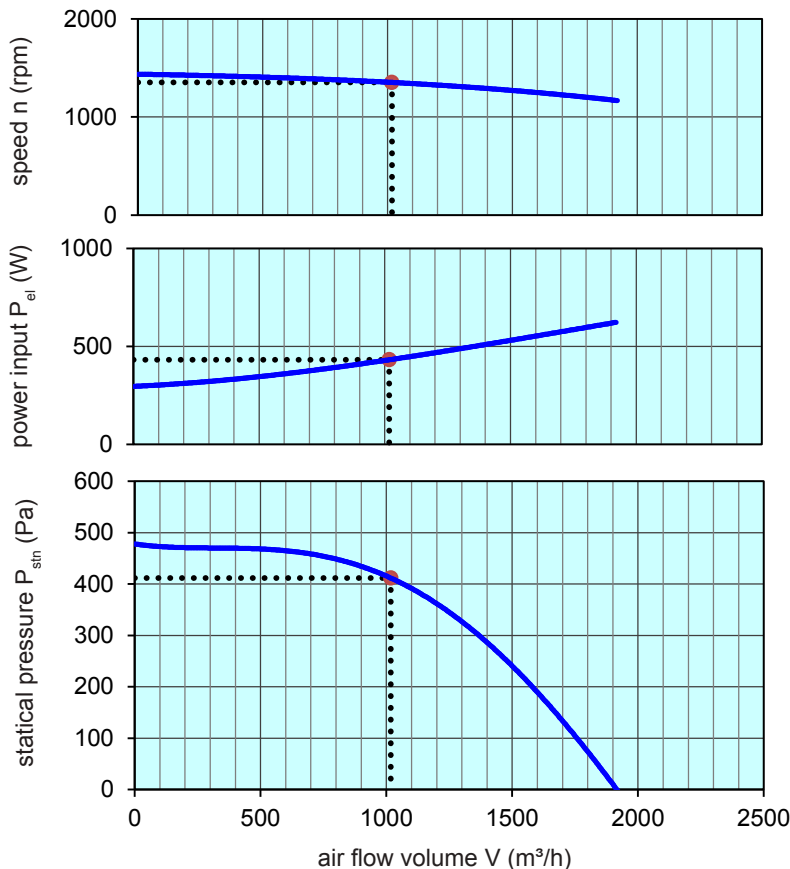
main voltage:	(V)	230 (1~)
frequency:	(Hz)	50
current max.:	(A)	3,0
power input max.:	(kW)	0,62
air flow volume max.:	(m³/h)	1920
statical pressure max.:	(Pa)	480
speed max.:	(rpm)	1437
supply air temperature:	(°C)	-25... +60
capacitor:	(µF)	16

** not suitable for distribution in EU countries, please choose an appropriate EC fan or contact our technical department

ErP-Data:

total efficiency fan (η_e):	(%)	28,2
installation category:		A
efficiency category:		static
efficiency grade: N	(%)	37
target efficiency (η_{target}):	(%)	28,2
speed controller		no
year of manufacturing		since 2015
manufacturer:	Fischbach Luft- und Ventilatorentechnik GmbH D-57290 Neunkirchen / HRB 5804 Siegen	
order no.:	le/ri	18021610/18021810
power input:	(kW)	0,42
air flow volume:	(m³/h)	1025
statical pressure:	(Pa)	415
speed:	(rpm)	1352
specific ratio:		1

disassembling/recycling/disposal: see page decommission

installation/operation/maintenance: see operating and mounting instructions
measurement for determination of efficiency without additional items**Speed controller / accessories / sound data**, please see in the appropriate tableTechnical documentation according to page: **General information**