

Series: COMPACT-FAN Type CFE
single inlet
with forward curved blades

FISCHBACH
Luft- und Ventilatorentechnik GmbH

Type: CFE840/D500

ERP KONFORM



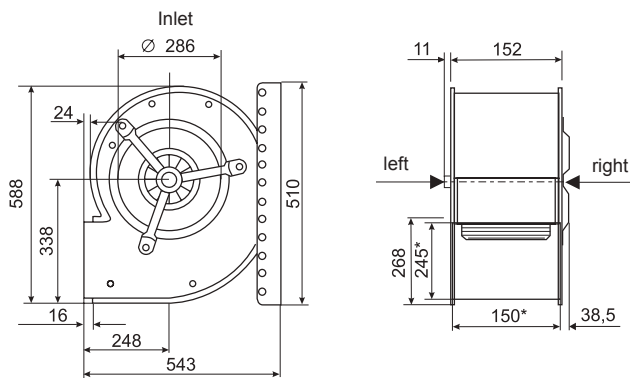
CE -conform

Forgalmazó:
Oxyrna Systems Kft.
3433 Nyékládháza, Ady Endre u. 49/A

phone: +36 (30) 665-5982
internet: www.fischbach-air.hu
email: oxyrna@oxyrna.hu

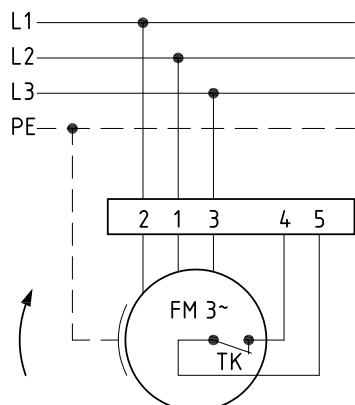
Technical Data

weight:	(kg)	30
material housing:	steel, galvanized	
material impeller:	steel, galvanized	
direction of rotation:	left/right	
protection class:	IP 65	
insulation class:	F	
motor protection:	thermal contact	



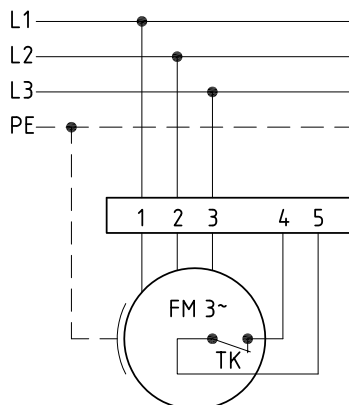
*external dimension of discharge

connection plan
0.13-2 r.



rotating right

connection plan
0.13-2 l.



rotating left

the silent one



Series: COMPACT-FAN Type CFE

single inlet
with forward curved blades

FISCHBACH

Luft- und Ventilatorentechnik GmbH

Type: CFE840/D500

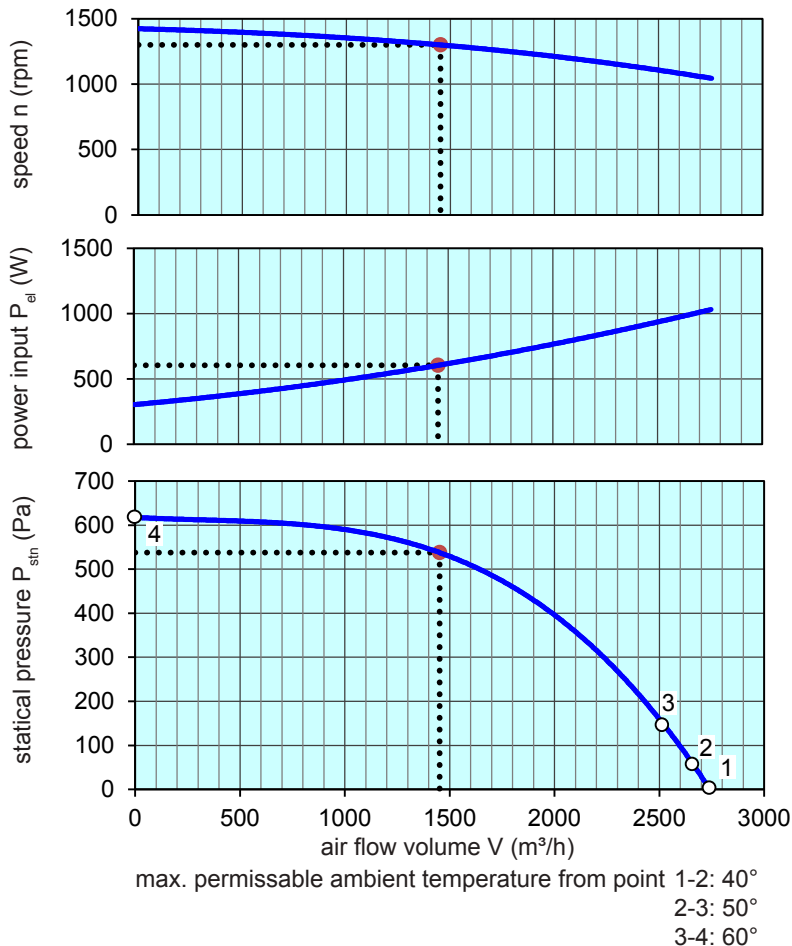
Erp 2013 2015 x 2018

Performance data

main voltage:	(V)	400 (3~)
frequency:	(Hz)	50
current max.:	(A)	2,2
power input max.:	(kW)	1,1
air flow volume max.:	(m³/h)	2755
statical pressure max.:	(Pa)	606
speed max.:	(rpm)	1422
supply air temperature:	(°C)	-25... see diagram
capacitor:	(µF)	-

ErP-Data:

total efficiency fan (η_e):	(%)	36,2
installation category:		A
efficiency category:		static
efficiency grade: N	(%)	44
target efficiency (η_{target}):	(%)	36,2
speed controller		no
year of manufacturing		since 2015
manufacturer:	Fischbach Luft- und Ventilatorentechnik GmbH D-57290 Neunkirchen / HRB 5804 Siegen	
order no.:	le/ri	18021710/18021910
power input:	(kW)	0,6
air flow volume:	(m³/h)	1455
statical pressure:	(Pa)	537
speed:	(rpm)	1300
specific ratio:		1
disassembling/recycling/disposal:	see page decommission	
installation/operation/maintenance:	see operating and mounting instructions	
measurement for determination of efficiency without additional items		



Speed controller / accessories / sound data, please see in the appropriate table

Technical documentation according to page: **General information**