

Series: COMPACT-FAN Type CFE

single inlet
with forward curved blades

FISCHBACH

Luft- und Ventilatorentechnik GmbH

Type: CFE8-940/D850

ERP KONFORM



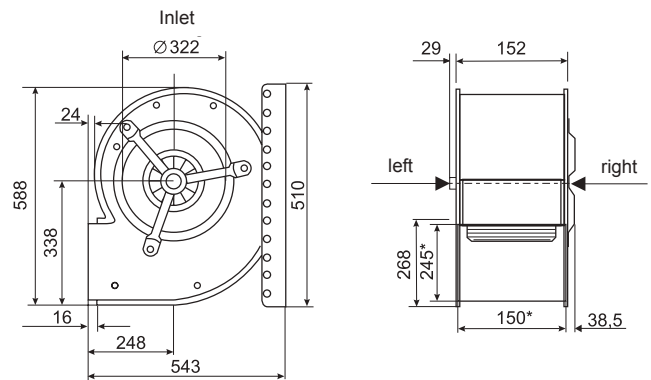
Forgalmazó:

Oxyrna Systems Kft.
3433 Nyékládháza, Ady Endre u. 49/A

phone: +36 (30) 665-5982
internet: www.fischbach-air.hu
email: oxyrna@oxyrna.hu

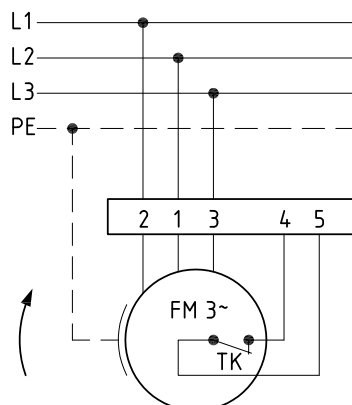
Technical Data

weight:	(kg)	35,5
material housing:	steel, galvanized	
material impeller:	steel, galvanized	
direction of rotation:	left/right	
protection class:	IP 65	
insulation class:	F	
motor protection:	thermal contact	

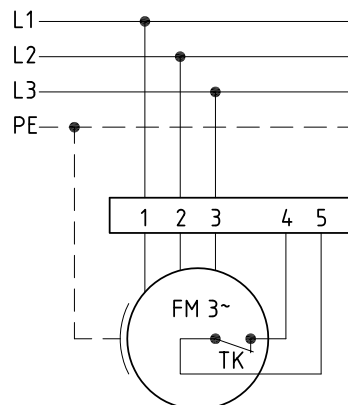


*external dimension of discharge

connection plan
0.13-2 r.



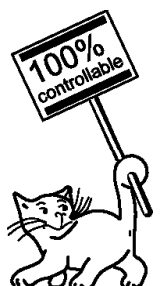
connection plan
0.13-2 l.



rotating right

rotating left

the silent one



Series: **COMPACT-FAN Type CFE**

single inlet
with forward curved blades

FISCHBACH

Luft- und Ventilatorentechnik GmbH

Type: CFE8-940/D850

Erp 2013 2015 x 2018

Performance data

main voltage:	(V)	400 (3~)
frequency:	(Hz)	50
current max.:	(A)	3,5
power input max.:	(kW)	1,9
air flow volume max.:	(m ³ /h)	3308
statical pressure max.:	(Pa)	780
speed max.:	(rpm)	1455
supply air temperature:	(°C)	-25... +50
capacitor:	(µF)	-

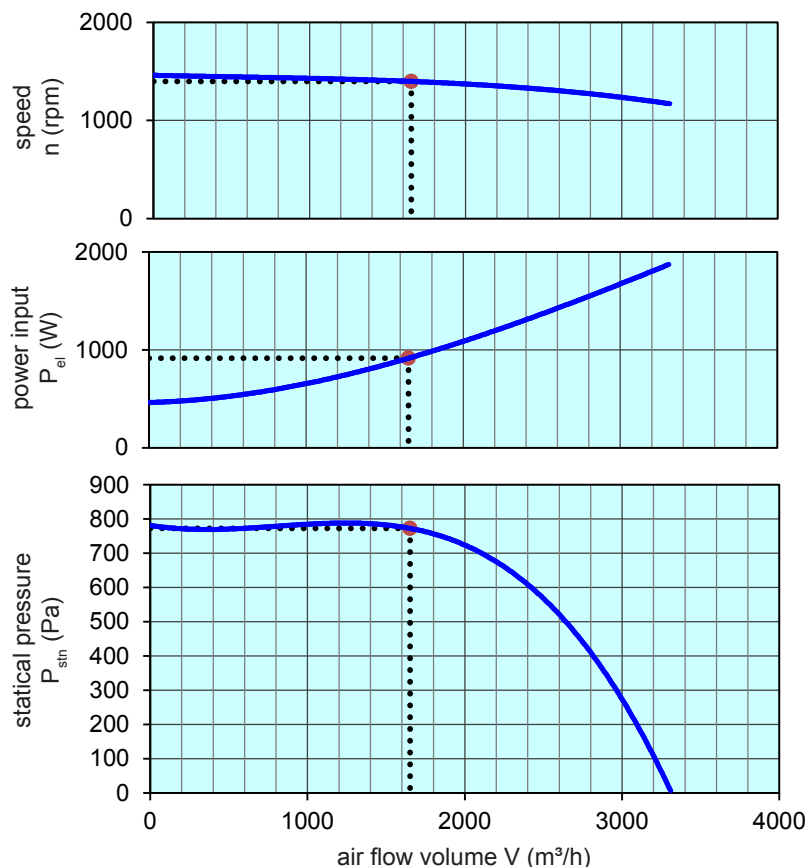
ErP-Data:

total efficiency fan (η_e):	(%)	39,1
installation category:		A
efficiency category:		static
efficiency grade: N	(%)	44
target efficiency (η_{target}):	(%)	37,4
speed controller		no
year of manufacturing		since 2015
manufacturer:	Fischbach Luft- und Ventilatorentechnik GmbH D-57290 Neunkirchen / HRB 5804 Siegen	
order no.: le/ri		18021720/18021920
power input:	(kW)	0,91
air flow volume:	(m ³ /h)	1655
statical pressure:	(Pa)	773
speed:	(rpm)	1398
specific ratio:		1

disassembling/recycling/disposal: see page decommission

installation/operation/maintenance: see operating and mounting instructions

measurement for determination of efficiency without additional items



Speed controller / accessories / sound data, please see in the appropriate table

Technical documentation according to page: **General information**