

Series: **COMPACT-FAN Type CFE**

single inlet
with forward curved blades

FISCHBACH

Luft- und Ventilatorentechnik GmbH

Type: **CFE930/E80**

ERP KONFORM

CE -conform



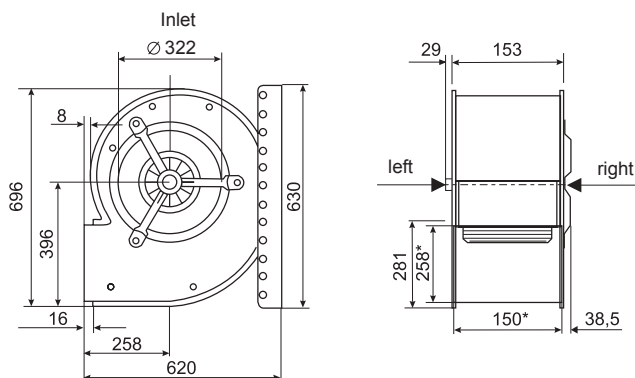
Forgalmazó:

Oxyrna Systems Kft.
3433 Nyékládháza, Ady Endre u. 49/A

phone: +36 (30) 665-5982
internet: www.fischbach-air.hu
email: oxyrna@oxyrna.hu

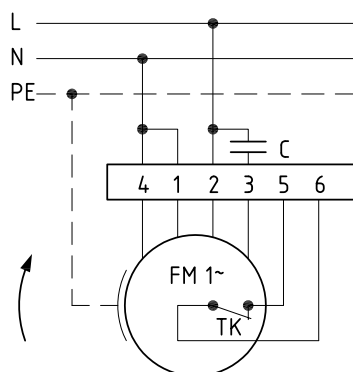
Technical Data

weight:	(kg)	28
material housing:	steel, galvanized	
material impeller:	steel, galvanized	
direction of rotation:	left/right	
protection class:	IP 65	
insulation class:	F	
motor protection:	thermal contact	



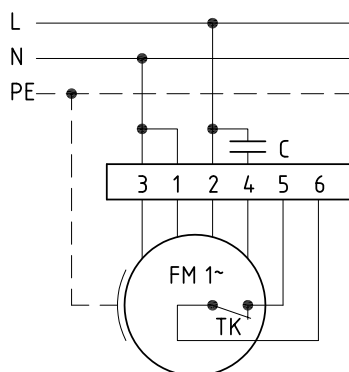
*external dimension of discharge

connection plan
0.11-1 r.



rotating right

connection plan
0.11-1 l.



rotating left

the silent one



Series: COMPACT-FAN Type CFE

single inlet
with forward curved blades

FISCHBACH

Luft- und Ventilatorentechnik GmbH

Type: CFE930/E80

Erp 2013 2015 x 2018

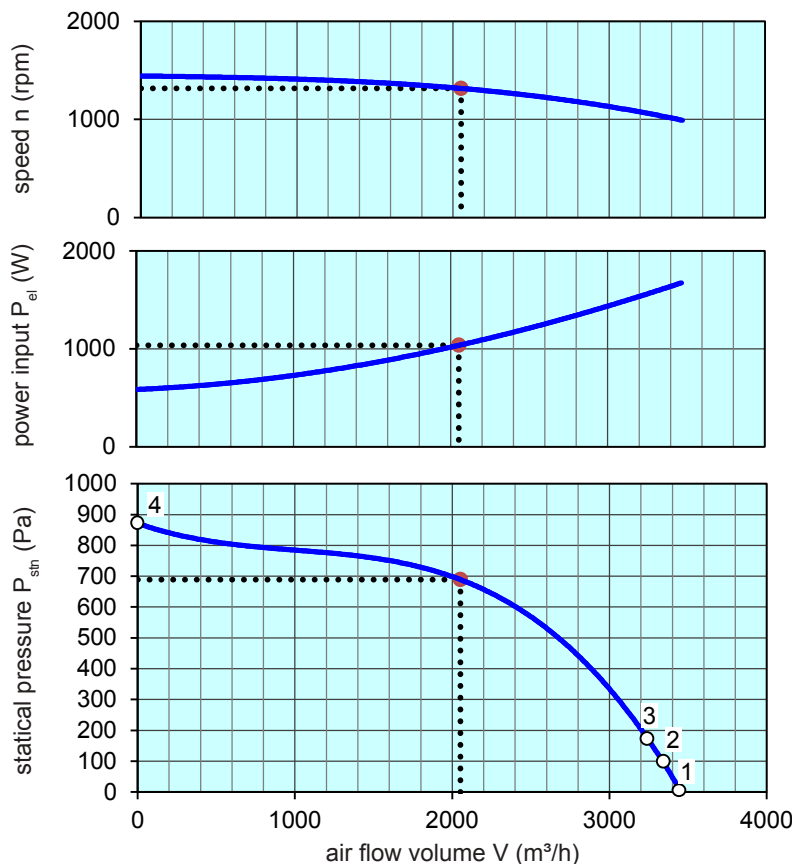
Performance data

main voltage:	(V)	230 (1~)
frequency:	(Hz)	50
current max.:	(A)	8,1
power input max.:	(kW)	1,8
air flow volume max.:	(m³/h)	3470
statical pressure max.:	(Pa)	850
speed max.:	(rpm)	1441
supply air temperature:	(°C)	-25... see diagram
capacitor:	(µF)	30

ErP-Data:

total efficiency fan (η_e):	(%)	37,8
installation category:		A
efficiency category:		static
efficiency grade: N	(%)	44
target efficiency (η_{target}):	(%)	37,8
speed controller		no
year of manufacturing		since 2015
manufacturer:	Fischbach Luft- und Ventilatorentechnik GmbH D-57290 Neunkirchen / HRB 5804 Siegen	
order no. le/ri		18021652/18021852
power input:	(kW)	1,04
air flow volume:	(m³/h)	2052
statical pressure:	(Pa)	689
speed:	(rpm)	1316
specific ratio:		1

disassembling/recycling/disposal: see page decommission
installation/operation/maintenance: see operating and mounting instructions
measurement for determination of efficiency without additional items



max. permissible ambient temperature from point
1-2: 40°
2-3: 50°
3-4: 60°

Speed controller / accessories / sound data, please see in the appropriate table

Technical documentation according to page: **General information**