

**Series:** COMPACT-FAN Type CFE  
single inlet  
with forward curved blades

**FISCHBACH**  
Luft- und Ventilatorentechnik GmbH

**Type:** CFE9-070/D2

ERP KONFORM



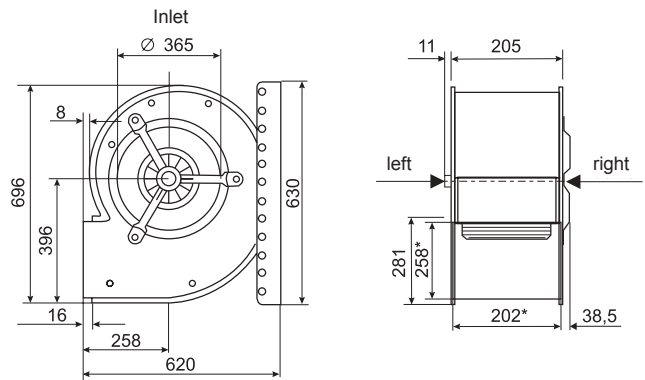
CE -conform

**Forgalmazó:**  
Oxyma Systems Kft.  
3433 Nyékládháza, Ady Endre u. 49/A

phone: +36 (30) 665-5982  
internet: www.fischbach-air.hu  
email: oxyma@oxyma.hu

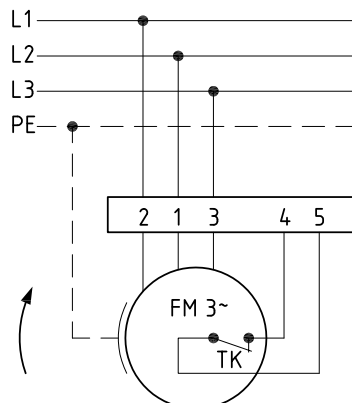
**Technical Data**

weight:	(kg)	53
material housing:	steel, galvanized	
material impeller:	steel, galvanized	
direction of rotation:	left/right	
protection class:	IP 65	
insulation class:	F	
motor protection:	thermal contact	



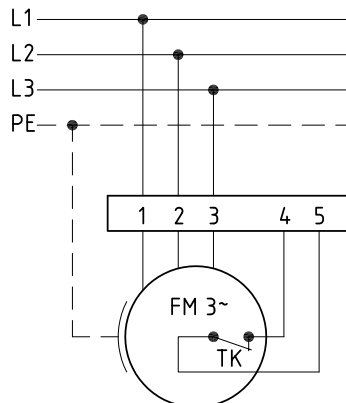
\*external dimension of discharge

connection plan  
0.13-2 r.



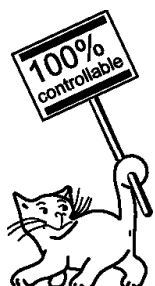
rotating right

connection plan  
0.13-2 l.



rotating left

the silent one



**Series: COMPACT-FAN Type CFE**

single inlet  
with forward curved blades

**FISCHBACH**

Luft- und Ventilatorentechnik GmbH

**Type: CFE9-070/D2**

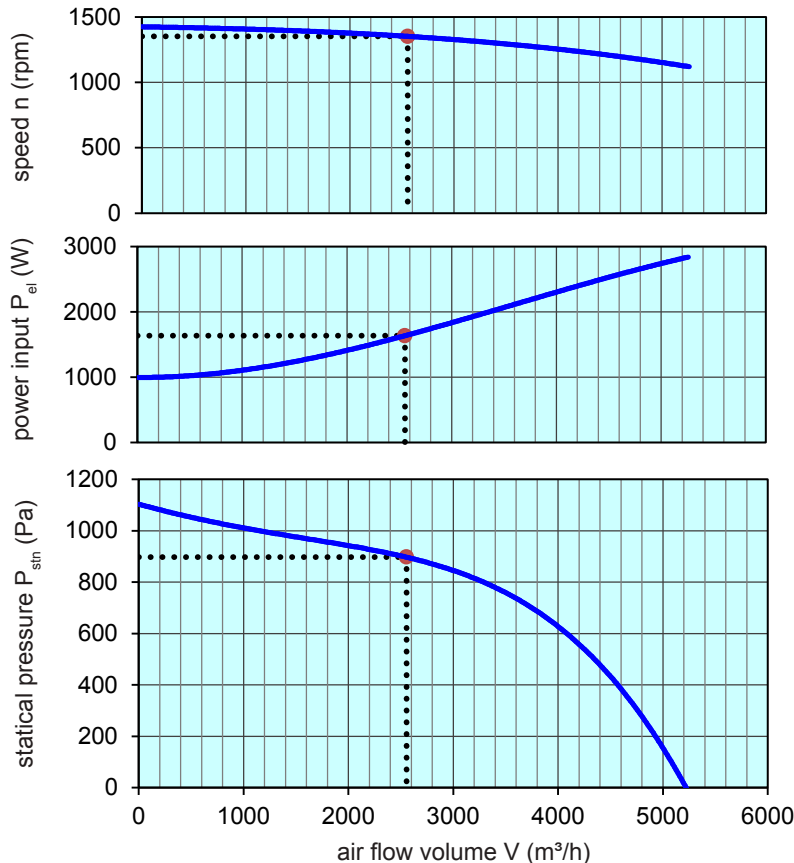
Erp 2013 2015 x 2018

**Performance data**

main voltage:	(V)	400 (3~)
frequency:	(Hz)	50
current max.:	(A)	5,8
power input max.:	(kW)	3,0
air flow volume max.:	(m³/h)	5260
statical pressure max.:	(Pa)	1096
speed max.:	(rpm)	1423
supply air temperature:	(°C)	-25...+60
capacitor:	(µF)	-

**ErP-Data:**

total efficiency fan ( $\eta_e$ ):	(%)	39,1
installation category:		A
efficiency category:		static
efficiency grade: N	(%)	44
target efficiency ( $\eta_{target}$ ):	(%)	39,0
speed controller		no
year of manufacturing		since 2015
manufacturer:	Fischbach Luft- und Ventilatorentechnik GmbH D-57290 Neunkirchen / HRB 5804 Siegen	
order no.:	le/ri	18021672/18021872
power input:	(kW)	1,63
air flow volume:	(m³/h)	2560
statical pressure:	(Pa)	897
speed:	(rpm)	1352
specific ratio:		1
disassembling/recycling/disposal: see page decommission		
installation/operation/maintenance: see operating and mounting instructions		
measurement for determination of efficiency without additional items		



**Speed controller / accessories / sound data**, please see in the appropriate table

Technical documentation according to page: **General information**