

Series: COMPACT-FAN Type D/DS
 double inlet
 with forward curved blades

FISCHBACH
 Luft- und Ventilatorentechnik GmbH

Type: D470/E15

ERP KONFORM

CE -conform

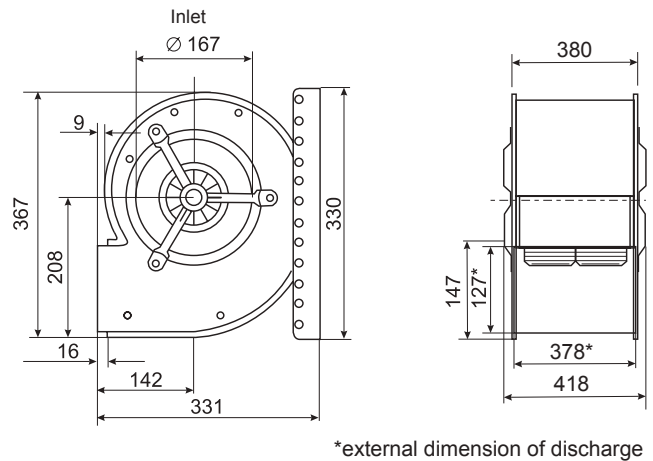


Forgalmazó:
 Oxyma Systems Kft.
 3433 Nyékládháza, Ady Endre u. 49/A

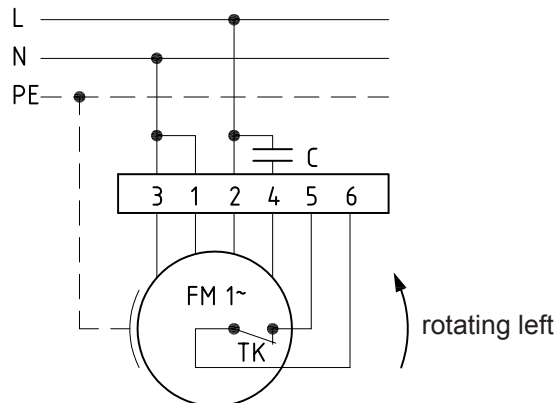
phone: +36 (30) 665-5982
 internet: www.fischbach-air.hu
 email: oxyma@oxyma.hu

Technical Data

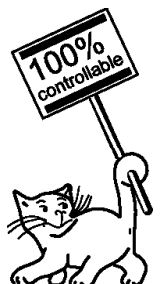
weight:	(kg)	15
material housing:	steel, galvanized	
material impeller:	steel, galvanized	
direction of rotation:	left	
protection class:	IP 65	
insulation class:	F	
motor protection:	thermal contact	



connection plan
 0.11-1 I.



the silent one



Series: COMPACT-FAN Type D/DSdouble inlet
with forward curved blades**FISCHBACH**

Luft- und Ventilatorentechnik GmbH

Type: D470/E15

Erp 2013**x 2015 2018

Performance data

main voltage:	(V)	230 (1~)
frequency:	(Hz)	50
current max.:	(A)	1,84
power input max.:	(kW)	0,39
air flow volume max.:	(m ³ /h)	2409
statical pressure max.:	(Pa)	333
speed max.:	(rpm)	1414
supply air temperature:	(°C)	-25...+60
capacitor:	(µF)	10

** not suitable for distribution in EU countries, please choose an appropriate EC fan or contact our technical department

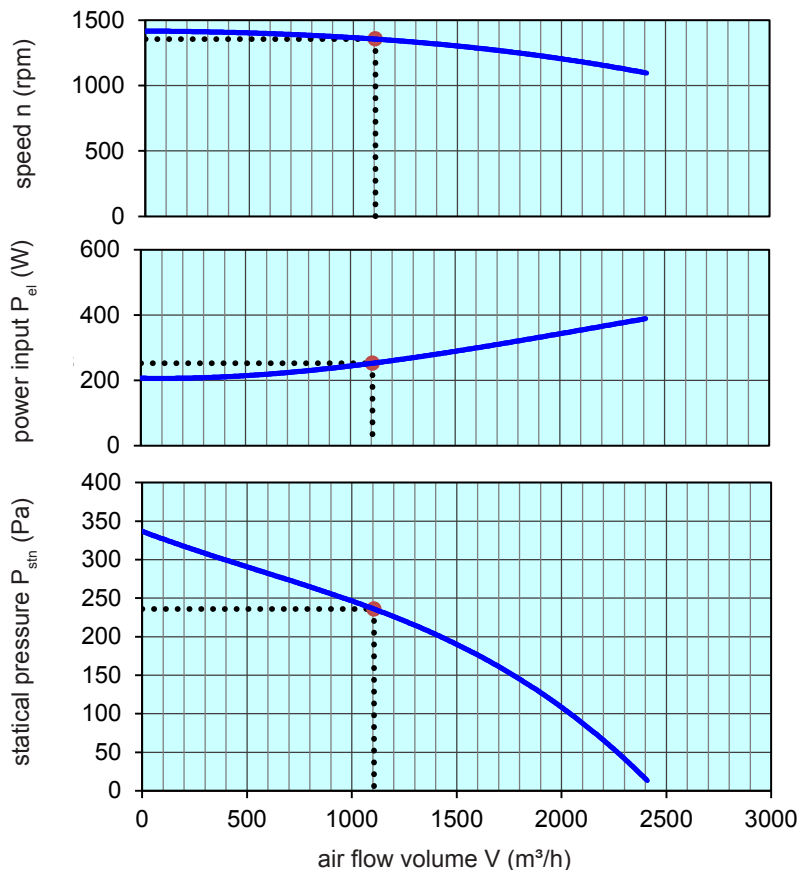
ErP-Data:

total efficiency fan (η_e):	(%)	29,0
installation category:		A
efficiency category:		static
efficiency grade: N	(%)	37
target efficiency (η_{target}):	(%)	26,9
speed controller		no
year of manufacturing		since 2015
manufacturer:	Fischbach Luft- und Ventilatorentechnik GmbH D-57290 Neunkirchen / HRB 5804 Siegen	
order no.		18011850
power input:	(kW)	0,25
air flow volume:	(m ³ /h)	1105
statical pressure:	(Pa)	236
speed:	(rpm)	1355
specific ratio:		1

disassembling/recycling/disposal: see page decommission

installation/operation/maintenance: see operating and mounting instructions

measurement for determination of efficiency without additional items



Speed controller / accessories / sound data, please see in the appropriate table

Technical documentation according to page: **General information**