

**Series: COMPACT-FAN Type D/DS**

double inlet  
with forward curved blades

**FISCHBACH**

Luft- und Ventilatorentechnik GmbH

**Type: D770/E65**

**ERP KONFORM**

**CE** -conform



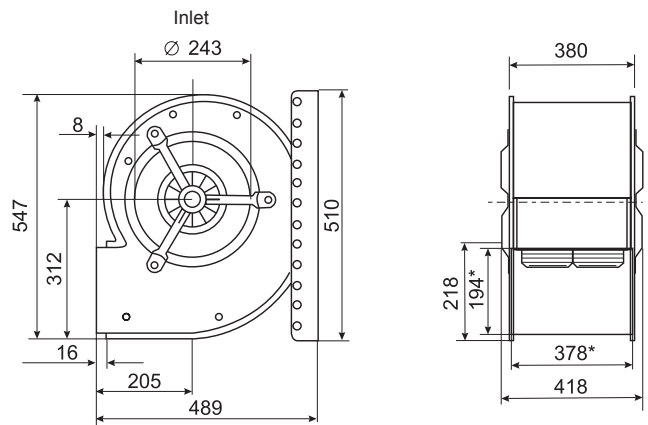
**Forgalmazó:**

Oxyrna Systems Kft.  
3433 Nyékládháza, Ady Endre u. 49/A

phone: +36 (30) 665-5982  
internet: www.fischbach-air.hu  
email: oxyrna@oxyrna.hu

**Technical Data**

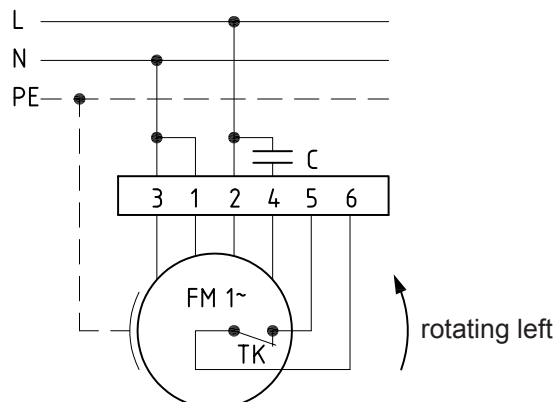
weight:	(kg)	30
material housing:	steel, galvanized	
material impeller:	steel, galvanized	
direction of rotation:	left	
protection class:	IP 65	
insulation class:	F	
motor protection:	thermal contact	



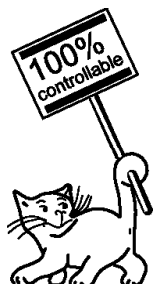
\*external dimension of discharge

**connection plan**

0.11-1 I.



the silent one



**Series: COMPACT-FAN Type D/DS**double inlet  
with forward curved blades**FISCHBACH**

Luft- und Ventilatorentechnik GmbH

**Type: D770/E65**

ErP 2013 2015 x 2018

**Performance data**

main voltage:	(V)	230 (1~)
frequency:	(Hz)	50
current max.:	(A)	5,9
power input max.:	(kW)	1,3
air flow volume max.:	(m³/h)	4730
statical pressure max.:	(Pa)	615
speed max.:	(rpm)	1433
supply air temperature:	(°C)	-25... +60
capacitor:	(µF)	30

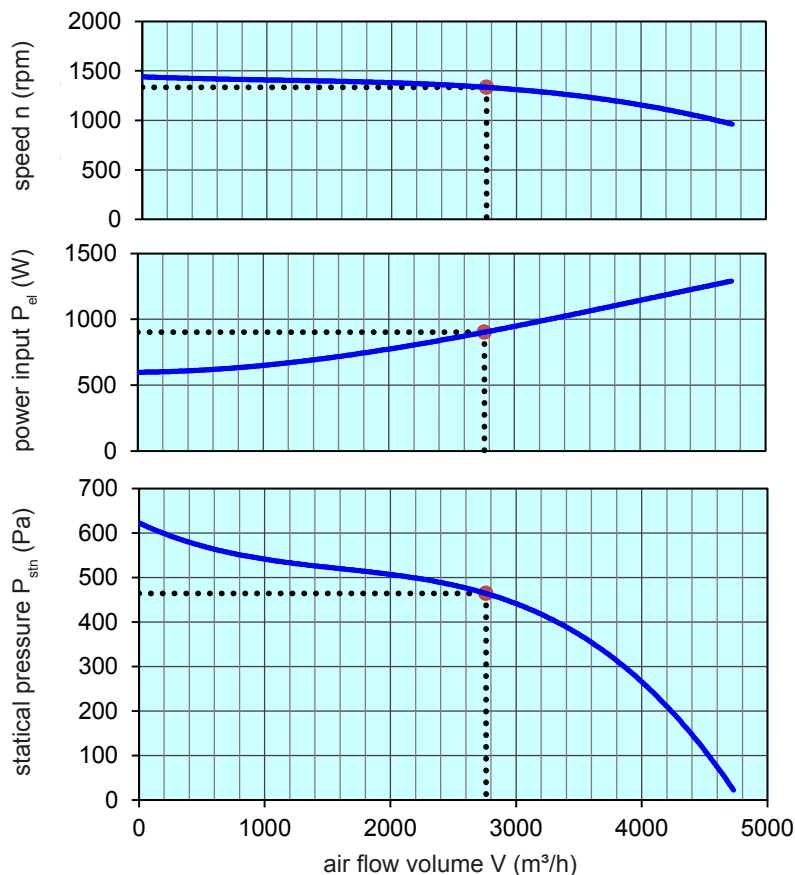
**ErP-Data:**

total efficiency fan ( $\eta_e$ ):	(%)	39,5
installation category:		A
efficiency category:		static
efficiency grade: N	(%)	44
target efficiency ( $\eta_{target}$ ):	(%)	37,4
speed controller		no
year of manufacturing		since 2015
manufacturer:	Fischbach Luft- und Ventilatorentechnik GmbH D-57290 Neunkirchen / HRB 5804 Siegen	
order no.		18011932
power input:	(kW)	0,9
air flow volume:	(m³/h)	2761
statical pressure:	(Pa)	464
speed:	(rpm)	1334
specific ratio:		1

disassembling/recycling/disposal: see page decommission

installation/operation/maintenance: see operating and mounting instructions

measurement for determination of efficiency without additional items

**Speed controller / accessories / sound data**, please see in the appropriate tableTechnical documentation according to page: **General information**