

Series: COMPACT-FAN Type D/DS

double inlet
with forward curved blades

FISCHBACH

Luft- und Ventilatorentechnik GmbH

Type: DS6-740/D500

ERP KONFORM

CE -conform



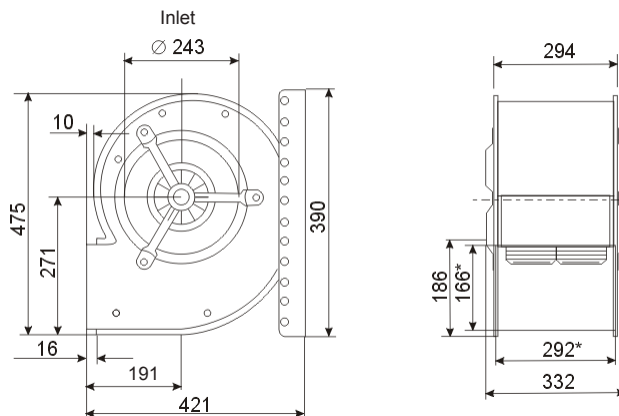
Forgalmazó:

Oxyma Systems Kft.
3433 Nyékládháza, Ady Endre u. 49/A

phone: +36 (30) 665-5982
internet: www.fischbach-air.hu
email: oxyma@oxyma.hu

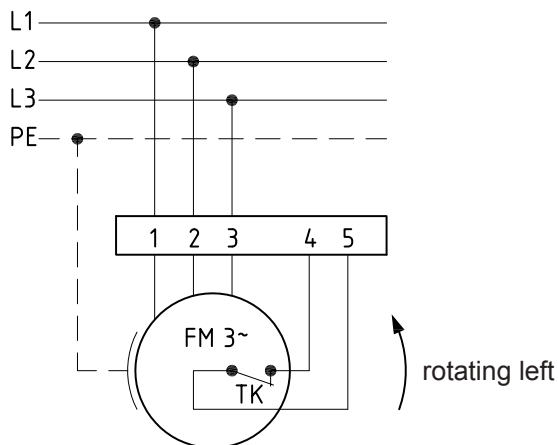
Technical Data

weight:	(kg)	25
material housing:	steel, galvanized	
material impeller:	steel, galvanized	
direction of rotation:	left	
protection class:	IP 65	
insulation class:	F	
motor protection:	thermal contact	

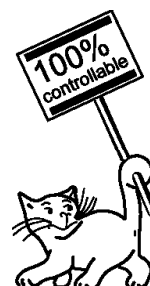


*external dimension of discharge

**connection plan
0.13-2 I.**



the silent one



Series: COMPACT-FAN Type D/DSdouble inlet
with forward curved blades**FISCHBACH**

Luft- und Ventilatorentechnik GmbH

Type: DS6-740/D500

ErP 2013 2015 x 2018

Performance data

main voltage:	(V)	400 (3~)
frequency:	(Hz)	50
current max.:	(A)	2,2
power input max.:	(kW)	1,1
air flow volume max.:	(m ³ /h)	3683
statical pressure max.:	(Pa)	557
speed max.:	(rpm)	1410
supply air temperature:	(°C)	-25... +60
capacitor:	(µF)	-

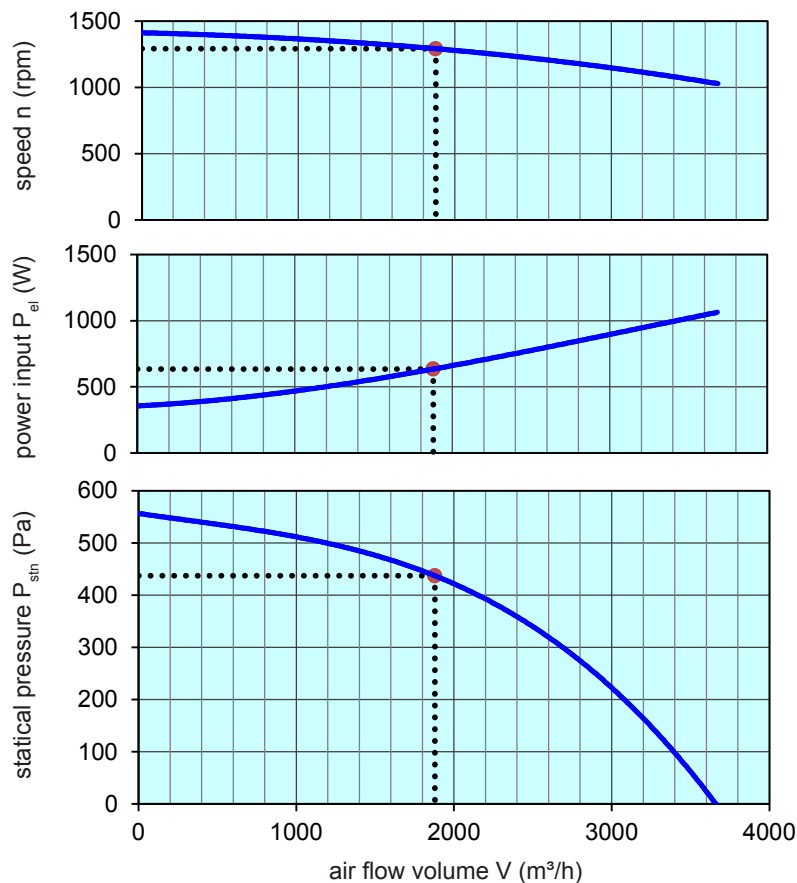
ErP-Data:

total efficiency fan (η_e):	(%)	36,5
installation category:		A
efficiency category:		static
efficiency grade: N	(%)	44
target efficiency (η_{target}):	(%)	36,4
speed controller		no
year of manufacturing		since 2015
manufacturer:	Fischbach Luft- und Ventilatorentechnik GmbH D-57290 Neunkirchen / HRB 5804 Siegen	
order no.		18016280
power input:	(kW)	0,63
air flow volume:	(m ³ /h)	1880
statical pressure:	(Pa)	440
speed:	(rpm)	1292
specific ratio:		1

disassembling/recycling/disposal: see page decommission

installation/operation/maintenance: see operating and mounting instructions

measurement for determination of efficiency without additional items

**Speed controller / accessories / sound data, please see in the appropriate table**Technical documentation according to page: **General information**