

Series: COMPACT-FAN Type D/DS

double inlet
with forward curved blades

FISCHBACH

Luft- und Ventilatorentechnik GmbH

Type: DS6-770/D850

ERP KONFORM

CE -conform

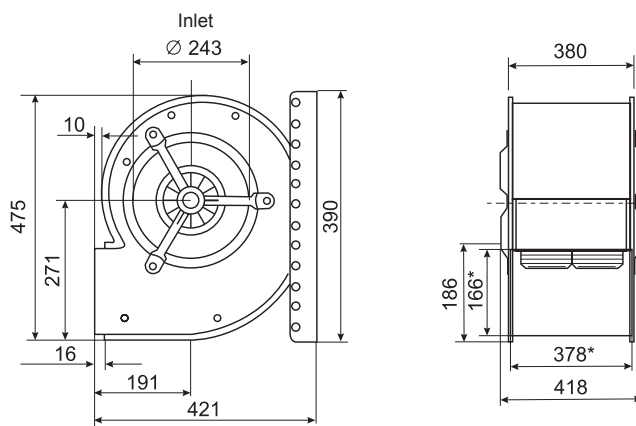


Forgalmazó:
Oxyma Systems Kft.
3433 Nyékládháza, Ady Endre u. 49/A

phone: +36 (30) 665-5982
internet: www.fischbach-air.hu
email: oxyma@oxyma.hu

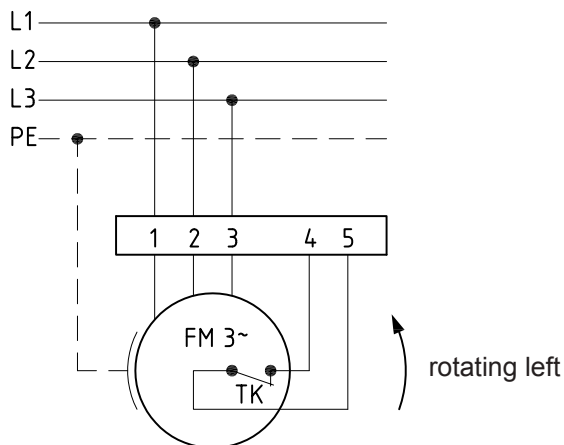
Technical Data

weight:	(kg)	27
material housing:	steel, galvanized	
material impeller:	steel, galvanized	
direction of rotation:	left	
protection class:	IP 65	
insulation class:	F	
motor protection:	thermal contact	



*external dimension of discharge

connection plan 0.13-2 I



the silent one



Series: COMPACT-FAN Type D/DS

double inlet
with forward curved blades

FISCHBACH

Luft- und Ventilatorentechnik GmbH

Type: DS6-770/D850

ErP 2013 2015 2018 x

Performance data

main voltage:	(V)	400 (3~)
frequency:	(Hz)	50
current max.:	(A)	3,4
power input max.:	(kW)	1,8
air flow volume max.:	(m³/h)	5420
statical pressure max.:	(Pa)	610
speed max.:	(rpm)	1456
supply air temperature:	(°C)	-25...+50
capacitor:	(µF)	-

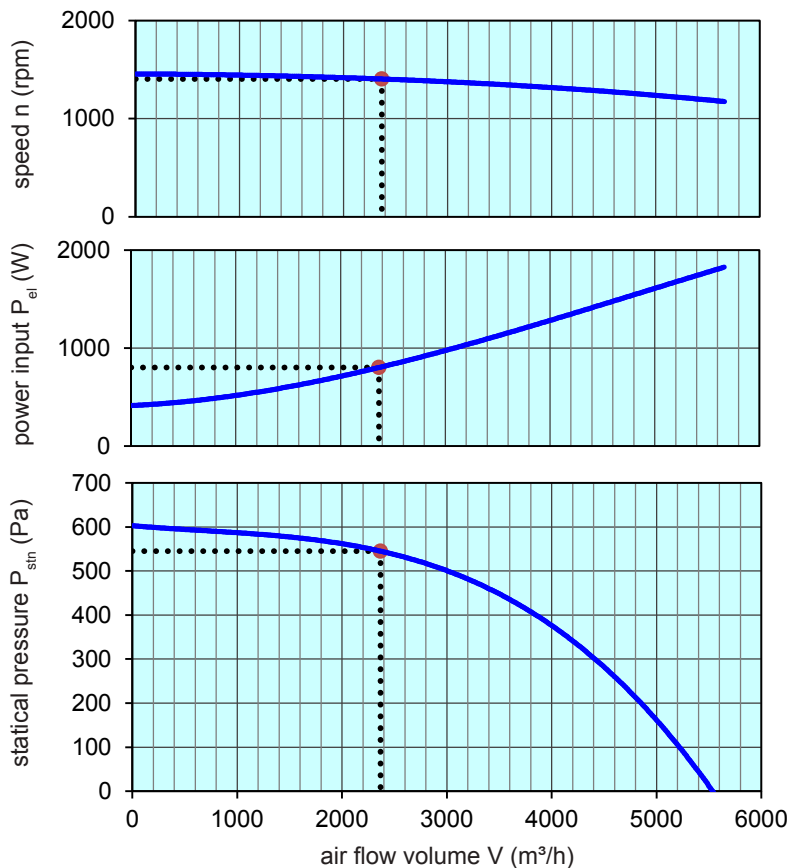
ErP-Data:

total efficiency fan (η_e):	(%)	44,8
installation category:		A
efficiency category:		static
efficiency grade: N	(%)	42
target efficiency (η_{target}):	(%)	40,6
speed controller		no
year of manufacturing		since 2015
manufacturer:	Fischbach Luft- und Ventilatorentechnik GmbH D-57290 Neunkirchen / HRB 5804 Siegen	
order no.		18016250
power input:	(kW)	0,80
air flow volume:	(m³/h)	2367
statical pressure:	(Pa)	545
speed:	(rpm)	1404
specific ratio:		1

disassembling/recycling/disposal: see page decommission

installation/operation/maintenance: see operating and mounting instructions

measurement for determination of efficiency without additional items



Speed controller / accessories / sound data, please see in the appropriate table

Technical documentation according to page: **General information**