

**Series: COMPACT-FAN Type D/DS**

double inlet  
with forward curved blades

**FISCHBACH**

Luft- und Ventilatorentechnik GmbH

**Type: DS8-980/D2.5**

**ERP KONFORM**

**CE** -conform



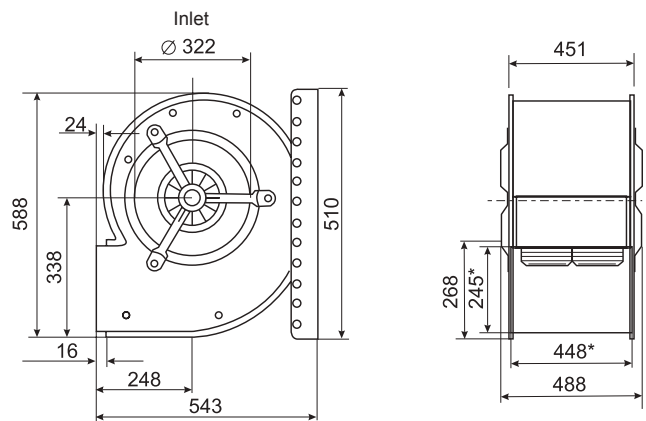
**Forgalmazó:**

Oxyma Systems Kft.  
3433 Nyékládháza, Ady Endre u. 49/A

phone: +36 (30) 665-5982  
internet: www.fischbach-air.hu  
email: oxyma@oxyma.hu

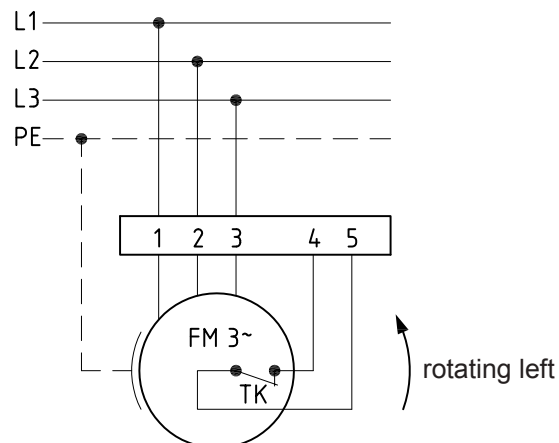
### Technical Data

weight:	(kg)	64
material housing:	steel, galvanized	
material impeller:	steel, galvanized	
direction of rotation:	left	
protection class:	IP 65	
insulation class:	F	
motor protection:	thermal contact	



\*external dimension of discharge

### connection plan 0.13-2 I.



the silent one



**Series: COMPACT-FAN Type D/DS**

double inlet  
with forward curved blades

**FISCHBACH**

Luft- und Ventilatorentechnik GmbH

**Type: DS8-980/D2.5**

ErP 2013 2015 x 2018

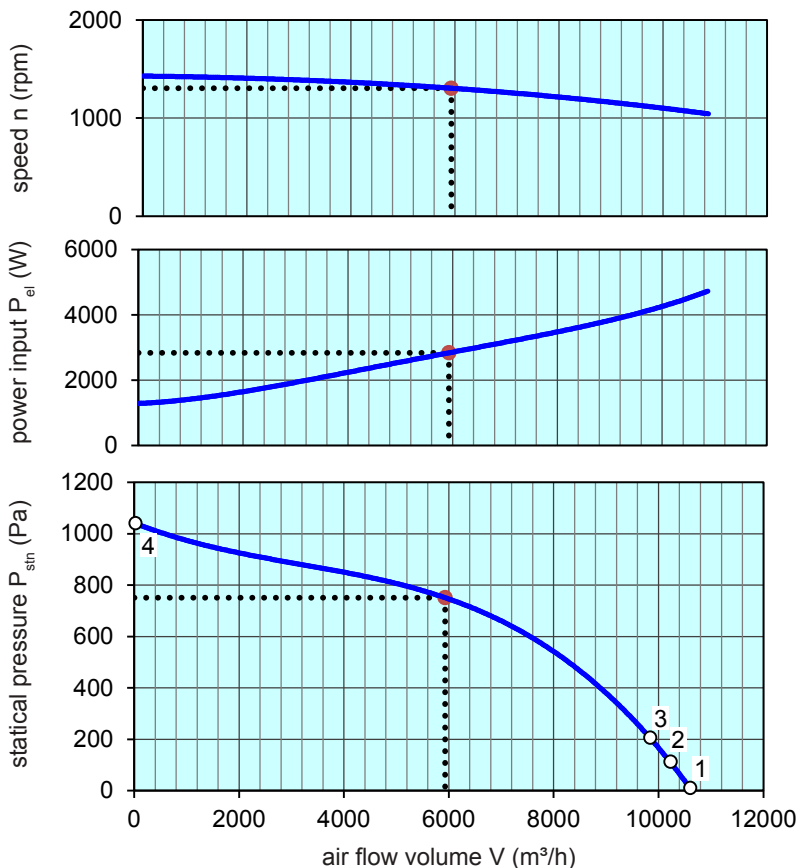
**Performance data**

main voltage:	(V)	400 (3~)
frequency:	(Hz)	50
current max.:	(A)	10,5
power input max.:	(kW)	5,1
air flow volume max.:	(m³/h)	10874
statical pressure max.:	(Pa)	1029
speed max.:	(rpm)	1428
supply air temperature:	(°C)	-25... see diagram
capacitor:	(µF)	-

**ErP-Data:**

total efficiency fan ( $\eta_e$ ):	(%)	44,8
installation category:		A
efficiency category:		static
efficiency grade: N	(%)	44
target efficiency ( $\eta_{target}$ ):	(%)	40,5
speed controller		no
year of manufacturing		since 2015
manufacturer:	Fischbach Luft- und Ventilatorentechnik GmbH D-57290 Neunkirchen / HRB 5804 Siegen	
order no.		18015220
power input:	(kW)	2,76
air flow volume:	(m³/h)	5929
statical pressure:	(Pa)	751
speed:	(rpm)	1304
specific ratio:		1

disassembling/recycling/disposal: see page decommission  
installation/operation/maintenance: see operating and mounting instructions  
measurement for determination of efficiency without additional items



max. permissible ambient temperature from point 1-2: 30°C  
2-3: 45°C  
3-4: 60°C

**Speed controller / accessories / sound data**, please see in the appropriate table

Technical documentation according to page: **General information**