

Series: COMPACT-FAN Type CEK
with external EC-MOTOR
single inlet
with forward curved blades

FISCHBACH

Luft- und Ventilatorentechnik GmbH

Type: CEK570/EM25

ERP KONFORM

CE -conform

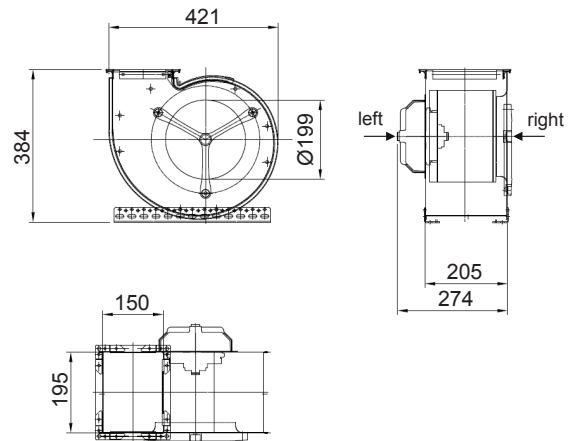


Forgalmazó:
Oxyma Systems Kft.
3433 Nyékládháza, Ady Endre u. 49/A

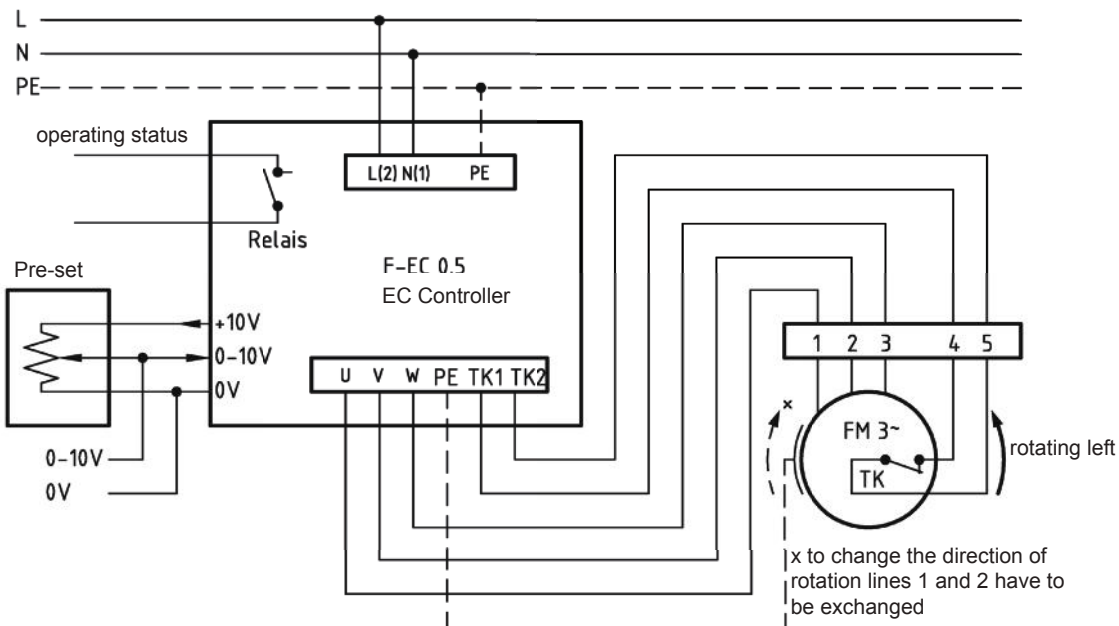
phone: +36 (30) 665-5982
internet: www.fischbach-air.hu
email: oxyma@oxyma.hu

Technical Data

weight:	(kg)	16
material housing:	steel, galvanized	
material impeller:	steel, galvanized	
direction of rotation:	left/right	
protection class:	IP 65	
insulation class:	F	
motor protection:	thermal contact	

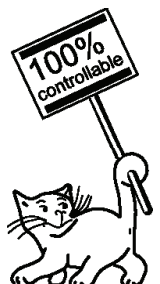


**connection plan*
F-EC 0.5**



* Connection only according to the enclosed technical documentation.

the silent one



Series: COMPACT-FAN Type CEK
 with external **EC-MOTOR**
 single inlet
 with forward curved blades

FISCHBACH

Luft- und Ventilatorentechnik GmbH

Type: CEK570/EM25

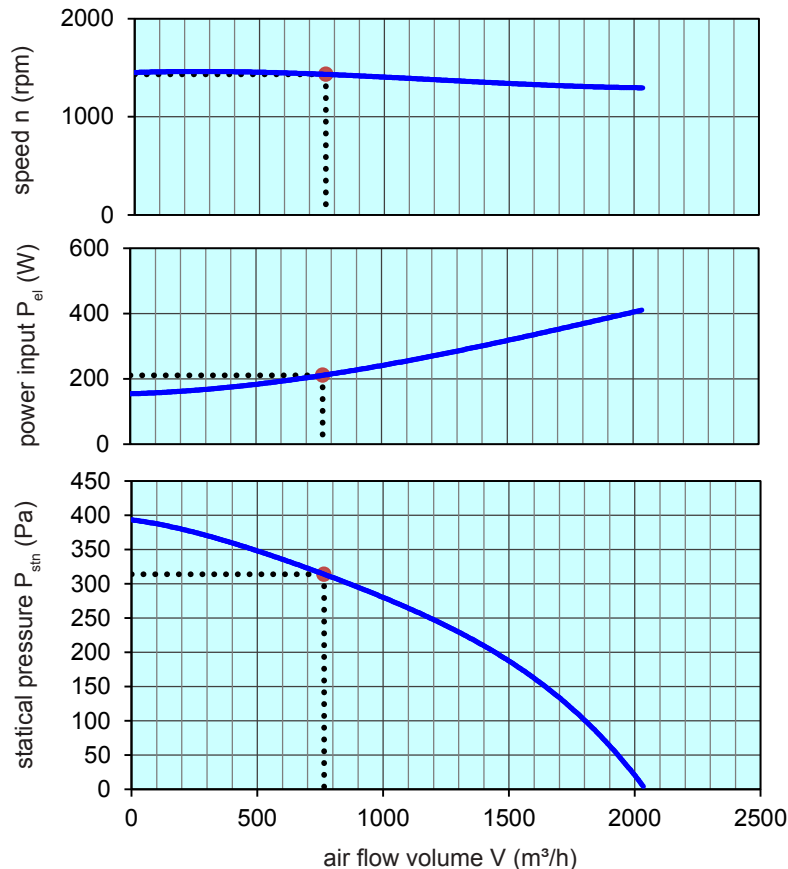
Erp 2013 2015 2018 x

Performance data

main voltage:	(V)	230 (1~)
frequency:	(Hz)	50
current max.:	(A)	2,65
power input max.:	(kW)	0,41
air flow volume max.:	(m³/h)	2034
statical pressure max.:	(Pa)	385
speed max.:	(rpm)	1476
max. air flow temperature	(°C)	80
max. ambient temperature	(°C)	40
capacitor:	(µF)	-

ErP-Data:

total efficiency fan (η_e):	(%)	36,1
installation category:		A
efficiency category:		static
efficiency grade: N	(%)	42
target efficiency (η_{target}):	(%)	32,3
speed controller		yes
year of manufacturing		since 2015
manufacturer:	Fischbach Luft- und Ventilatorentechnik GmbH D-57290 Neunkirchen / HRB 5804 Siegen	
order no. (left/right)		18124020/18124320
power input:	(kW)	0,21
air flow volume:	(m³/h)	765
statical pressure:	(Pa)	314
speed:	(rpm)	1432
specific ratio:		1
disassembling/recycling/disposal: see page decommission		
installation/operation/maintenance: see operating and mounting instructions		
measurement for determination of efficiency without additional items		



control with	type	order-Nr.
FISCHBACH-EC-controller	F-EC 0.5	63003
FISCHBACH-Pre-set 0-10V (optional accessories)	FS 10	69460

Technical documentation according to page: **General information**