

**Series: FREEWHEELING IMPELLER with  
INSTALLATION FRAME FLRE**  
with backward curved blades EC-MOTOR

**FISCHBACH**

Luft- und Ventilatorentechnik GmbH

**Type: FANGRID  
FLRE355/EM15**

**ERP KONFORM**

**CE** -conform



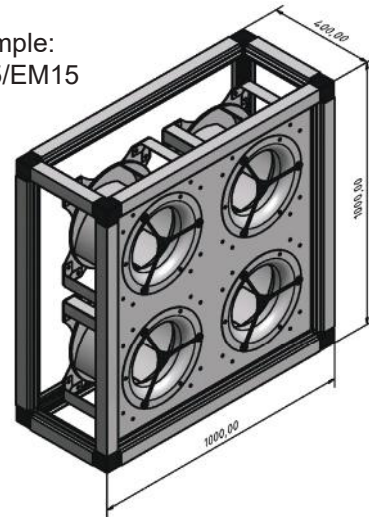
**Forgalmazó:**  
Oxyrna Systems Kft.  
3433 Nyékládháza, Ady Endre u. 49/A

phone: +36 (30) 665-5982  
internet: www.fischbach-air.hu  
email: oxyrna@oxyrna.hu

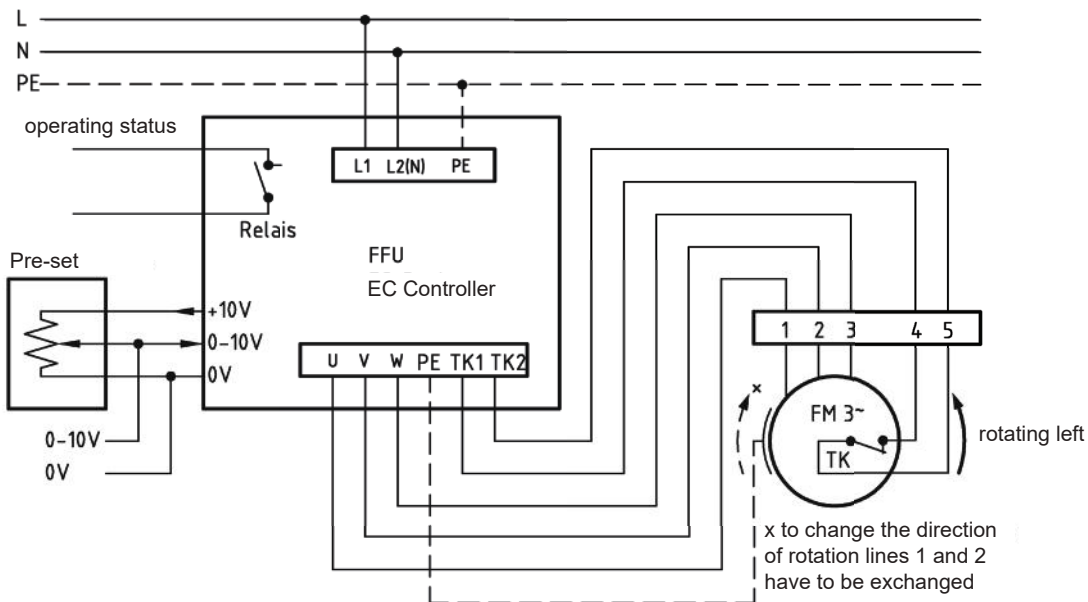
**Technical Data**

weight:	(kg)	18
material housing:		-
material impeller:		steel, galvanized
direction of rotation:		left/right
motor-protection class:		IP 65
insulation class:		F
motor protection:		thermal contact

z.B./for example:  
4x FLRE355/EM15



**connection plan\*  
FFU-EC 230**



\* Connection only according to the enclosed technical documentation.

the silent one



**Series: FREEWHEELING IMPELLER with  
INSTALLATION FRAME FLRE**  
with backward curved blades **EC-MOTOR**

**FISCHBACH**  
Luft- und Ventilatorentechnik GmbH

**Type: FANGRID  
FLRE355/EM15**

Erp 2013 2015 2018 x

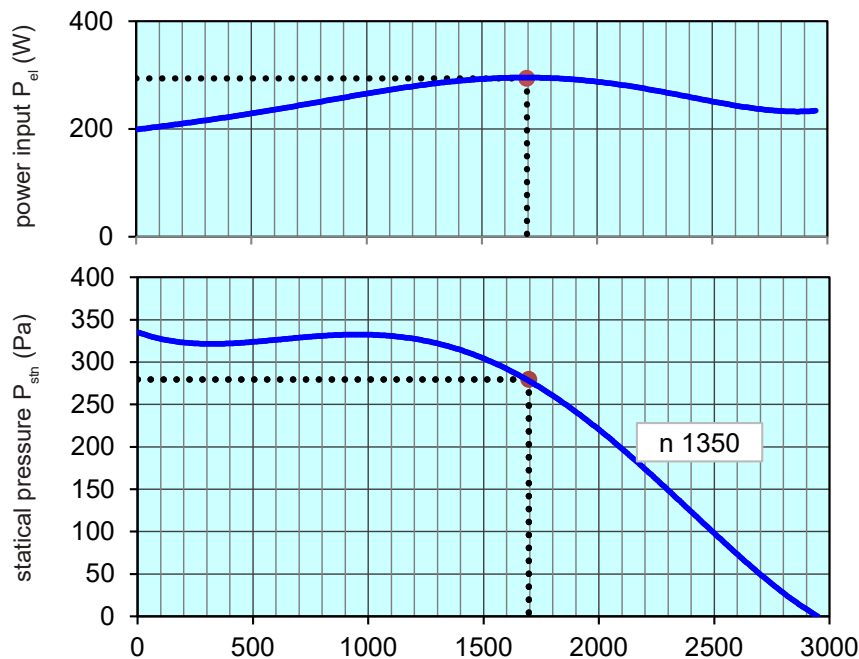
**Performance data**

main voltage:	(V)	230 (1~)
frequency:	(Hz)	50
current max.:	(A)	2,3
power input max.:	(kW)	0,3
	(m <sup>3</sup> /h)	2950
statical pressure max.:	(Pa)	332
speed max.:	(rpm)	1350
supply air temperature:	(°C)	-25... +60
capacitor:	(µF)	-

**ErP-Data:**

$\eta_e$ :	(%)	51,3
installation category:		A
	static	
	(%)	62
$\eta_{target}$ :	(%)	45,9
speed controller		yes
year of manufacturing		since 2015
manufacturer:	Fischbach Luft- und Ventilatorentechnik GmbH D-57290 Neunkirchen / HRB 5804 Siegen	
order no. (left)		auf Anfrage
power input:	(kW)	0,29
	(m <sup>3</sup> /h)	1700
statical pressure:	(Pa)	280
speed:	(rpm)	1350
		1
disassembling/recycling/disposal: see page decommission		
installation/operation/maintenance: see operating and mounting instructions		

**Fangrid 1 x FLRE355/EM15**

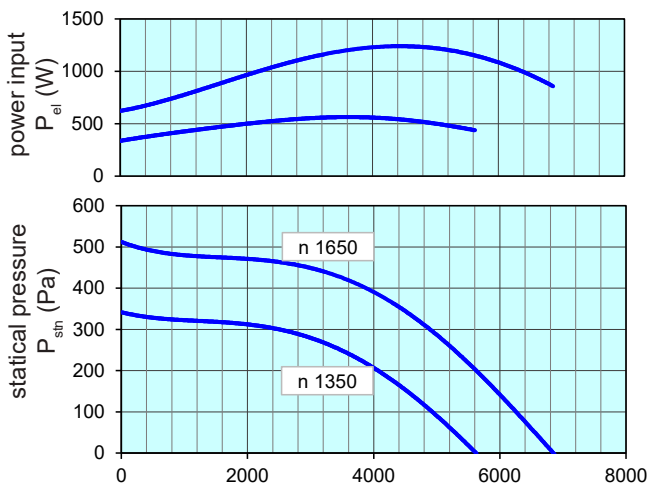


control with	type	order-Nr.
FISCHBACH-EC-controller	FFU1-21-0,75	63800
FISCHBACH-Pre-set 0-10V (optional accessories)	FS 10	69460

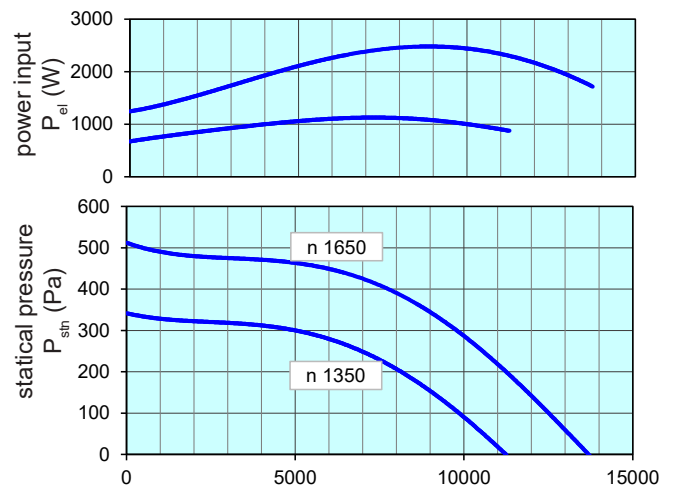
Technical documentation according to page: **General information**

**Type: FANGRID  
FLRE355/EM15**

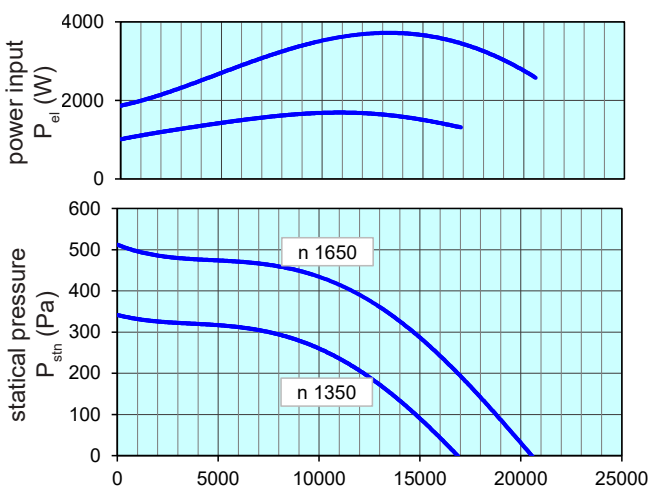
**Fangrid 2 x FLRE355/EM15**



**Fangrid 4 x FLRE355/EM15**



**Fangrid 6 x FLRE355/EM15**



**Fangrid 8 x FLRE355/EM15**

